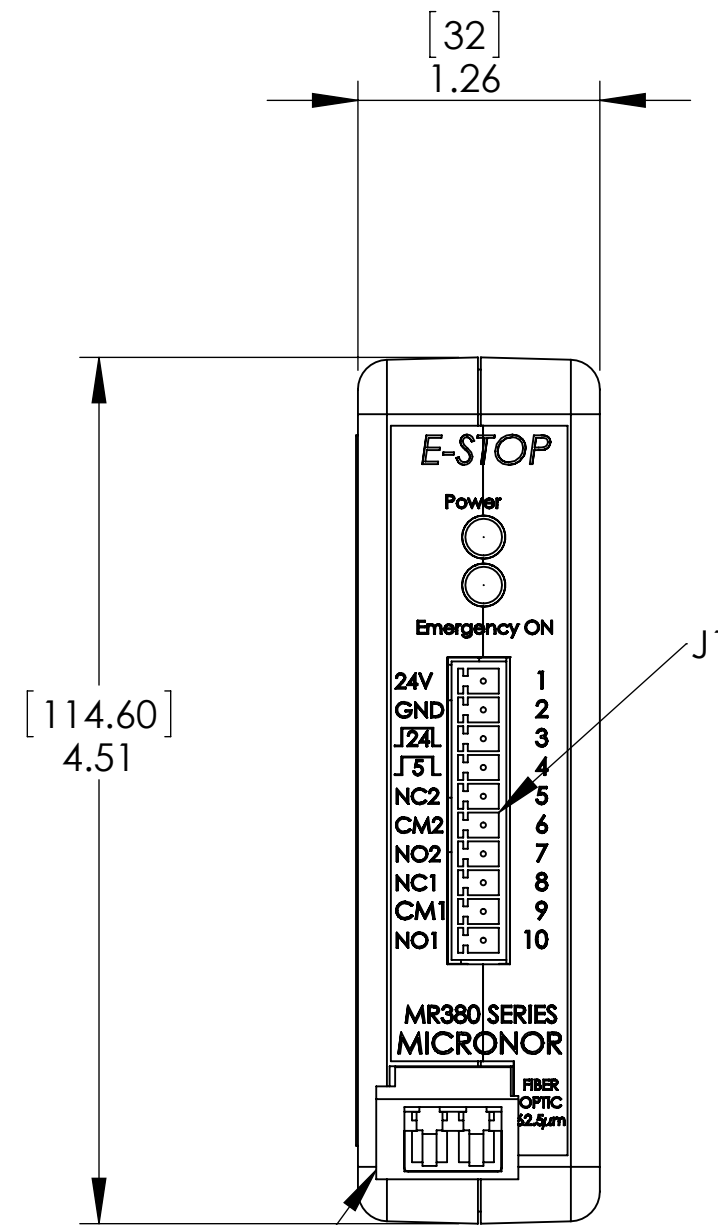
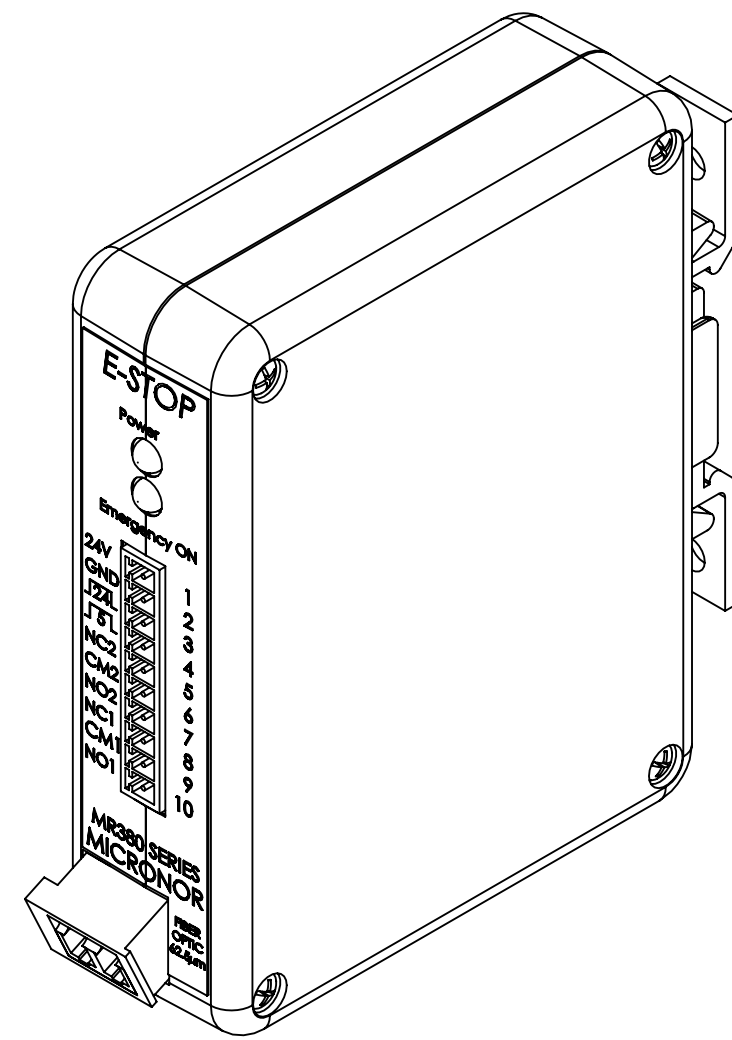
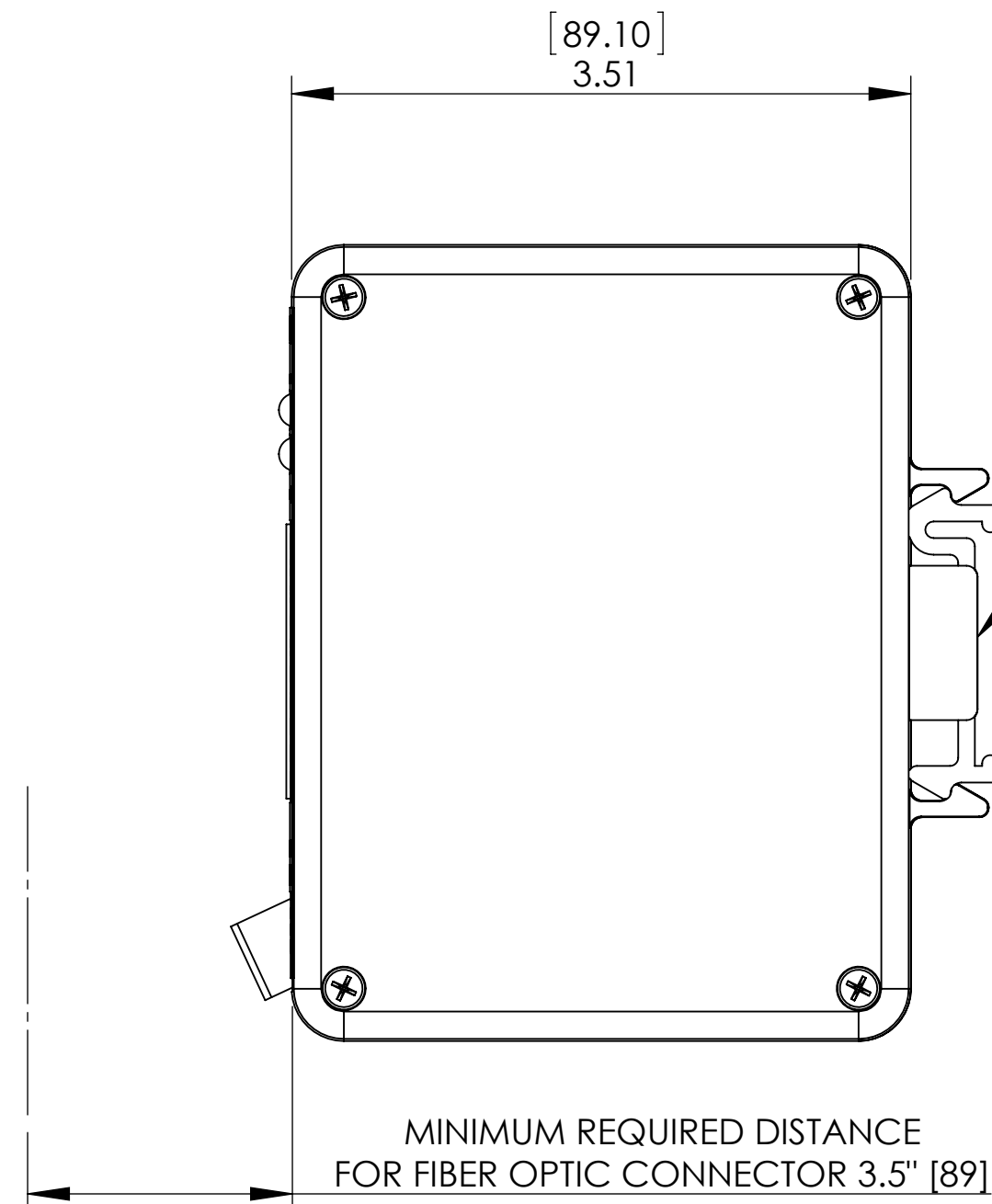


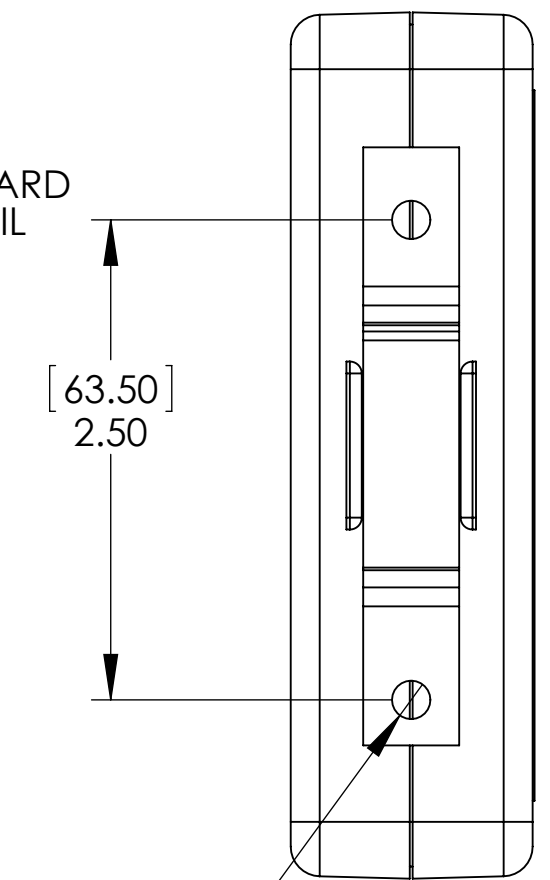
REVISIONS			
REV.	DESCRIPTION	DATE	APPROVED
A	NEW RELEASE	9-24-13	RGB
B1	Added Long Haul Option, MR380-1-3	4-06-16	DM
B2	Removed Short Haul Option, MR380-1-1	5-18-17	JF



DUPLEX LC CONNECTOR



UNIT MOUNTS ONTO STANDARD 35MM DIN RAIL



J1 PHOENIX CONTACT P/N: 1803358 (10 PIN TERMINAL), MATING PLUG P/N: 1803659

TERMINAL	DESCRIPTION
1	+24VDC Power Supply Input
2	Ground Input
3	Digital 24V Normally High
4	Digital 5V Normally High
5	Normally Closed Relay Contact 2
6	Common Relay Contact 2
7	Normally Open Relay Contact 2
8	Normally Closed Relay Contact 1
9	Common Relay Contact 1
10	Normally Open Relay Contact 1

PART NUMBER ORDERING CODE

MR380 - 1 - 2
 2 = 1300NM MULTIMODE, MEDIUM HAUL
 3 = 1310NM SINGE MODE, LONG HAUL
 1 = DIN RAIL MOUNT MODULE

1 WARNING: KEEP CONNECTOR COVERS IN PLACE DURING STORAGE, TO PROTECT FIBER OPTIC INTERFACES.

NOTES: UNLESS OTHERWISE SPECIFIED

UNLESS OTHERWISE SPECIFIED: DIMENSIONS ARE IN INCHES TOLERANCES: ANGULAR: ± .5° TWO PLACE DECIMAL ± .02 THREE PLACE DECIMAL ± .005 FOUR PLACE DECIMAL ± .0010	DRAWN	NAME	DATE	MICRONOR INC. CAMARILLO, CA (805) 389-6600 TITLE: MR380-1 CONTROLLER MODULE SIZE DWG. NO. REV C MR380-1 B2 SCALE: 1:1 WEIGHT: SHEET 1 OF 1
	CHECKED			
	ENG APPR.			
	MFG APPR.			
INTERPRET GEOMETRIC TOLERANCING PER:	COMMENTS:			
MATERIAL				
FINISH				
DO NOT SCALE DRAWING				