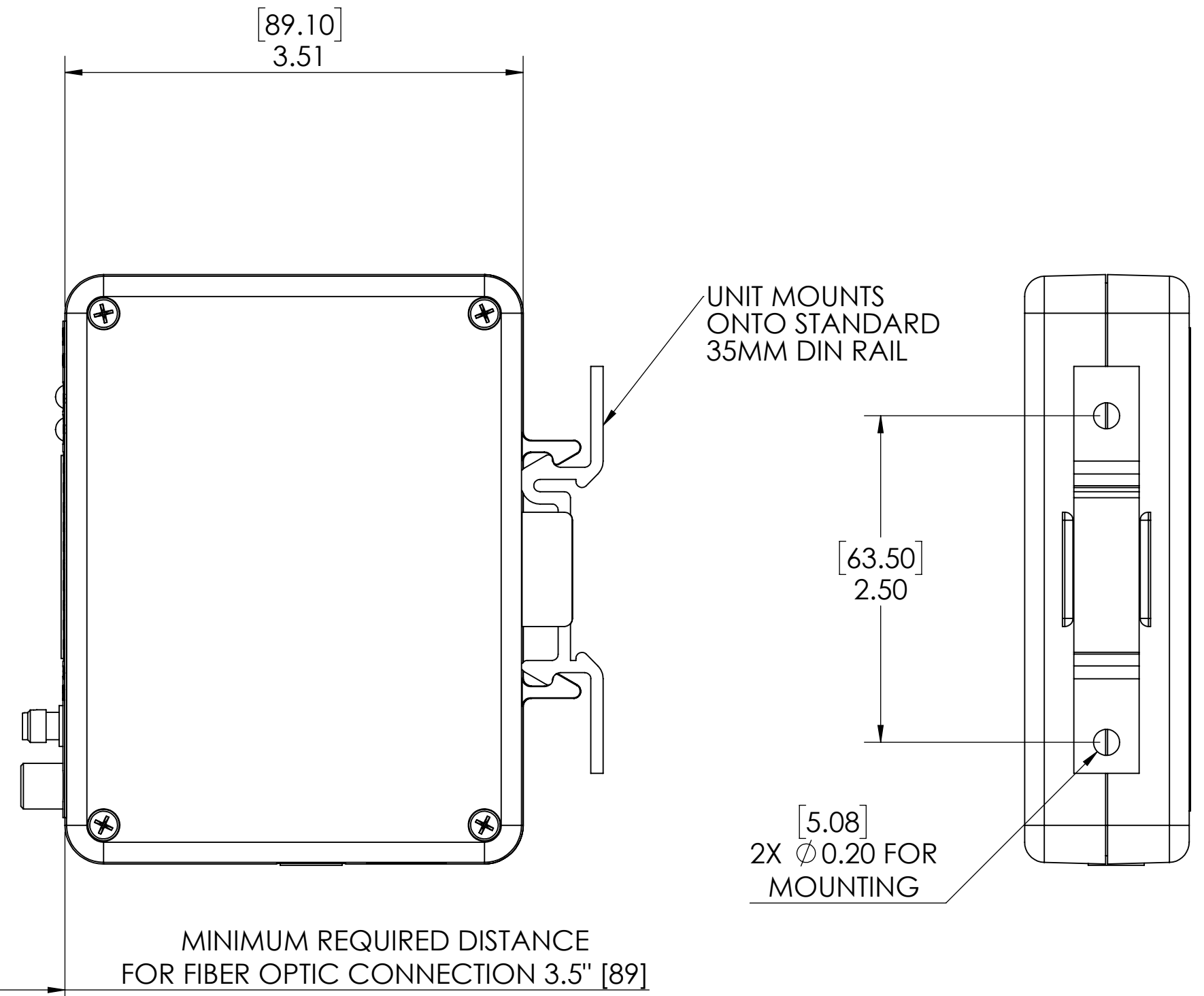
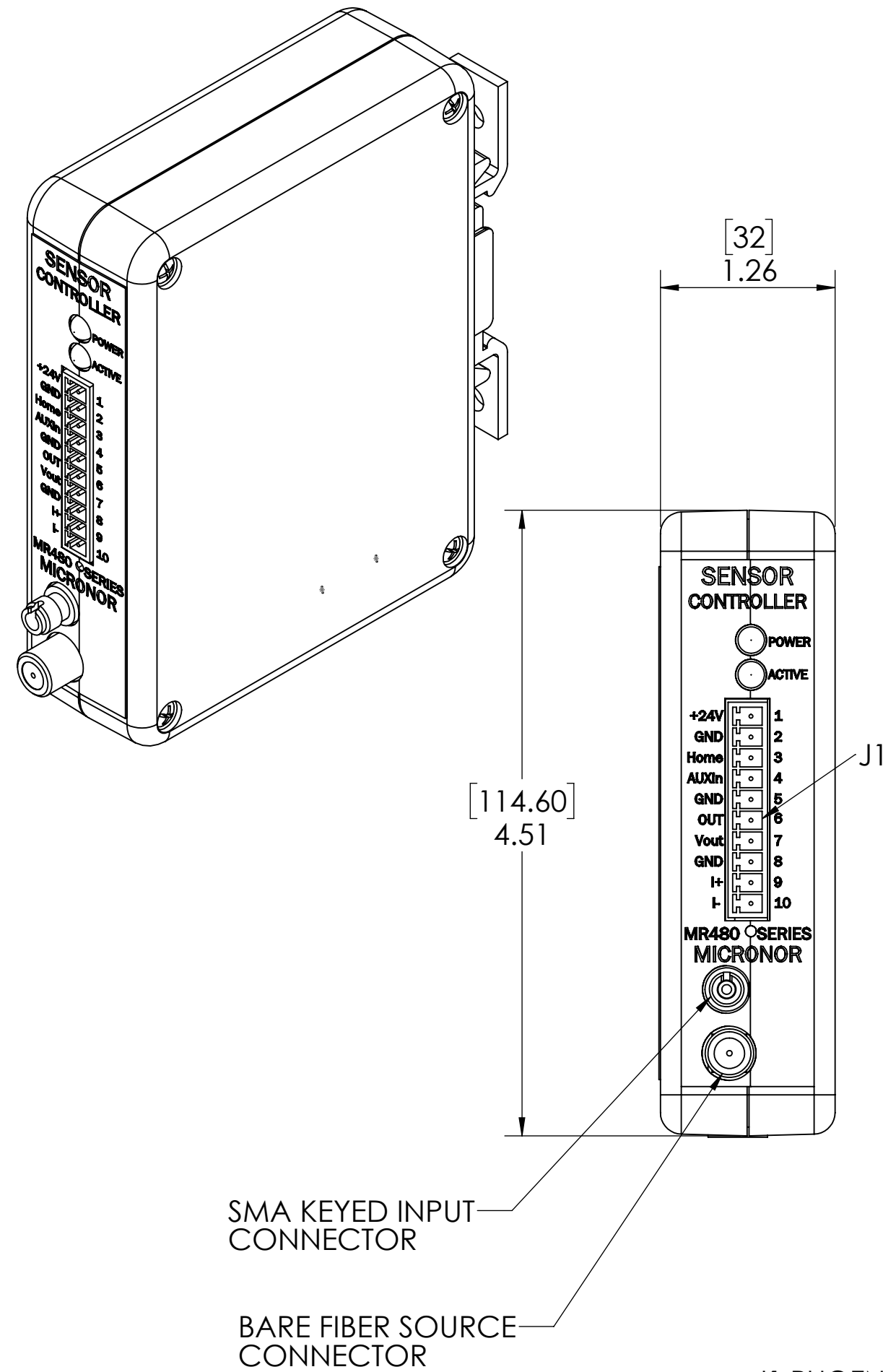


REVISIONS				
REV	DATE	ECN NO.	DRAWN BY	DESCRIPTION
X1	6-13-18	N/A	RGB	RELEASE

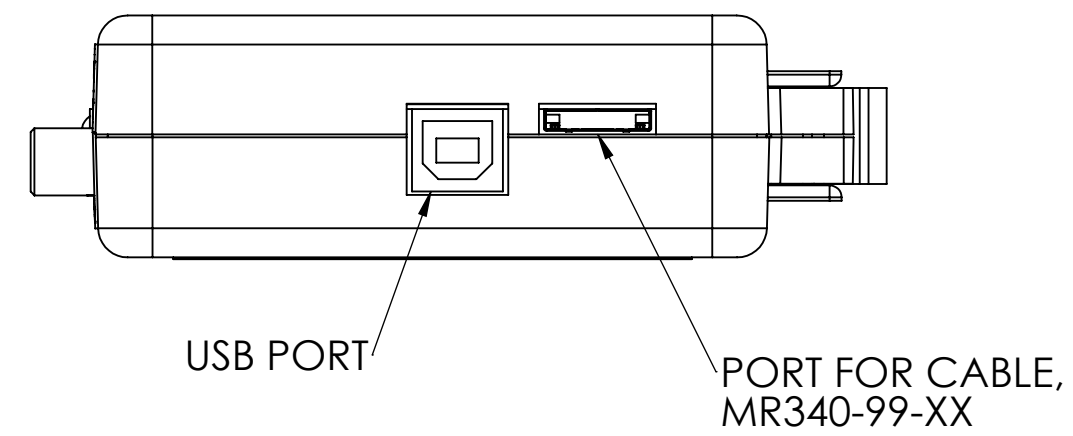


SMA KEYED INPUT CONNECTOR

BARE FIBER SOURCE CONNECTOR

J1 PHOENIX CONTACT P/N: 1803358
(10 PIN TERMINAL), MATING PLUG P/N: 1803659

TERMINAL	DESCRIPTION
1	+24VDC Power Supply Input
2	Ground Input
3	Home
4	AUX in
5	Ground
6	OUT
7	V out
8	Ground
9	I+
10	I-



1 WARNING: KEEP CONNECTOR COVERS IN PLACE DURING STORAGE, TO PROTECT FIBER OPTIC INTERFACES.

NOTES: UNLESS OTHERWISE SPECIFIED

PROPRIETARY AND CONFIDENTIAL
THE INFORMATION CONTAINED IN THIS DRAWING IS THE SOLE PROPERTY OF MICRONOR INC. ANY REPRODUCTION IN PART OR AS A WHOLE WITHOUT THE WRITTEN PERMISSION OF MICRONOR INC. IS PROHIBITED.

UNLESS OTHERWISE SPECIFIED:
DIMENSIONS ARE IN INCHES

TOLERANCES:
TWO DECIMAL PLACE: ±.01
THREE DECIMAL PLACE: ±.004
FOUR DECIMAL PLACE: ±.0010
ANGULAR: ±.5°

MATERIAL: SEE NOTES
FINISH: SEE NOTES
DO NOT SCALE DRAWING

micronor FIBER OPTIC KINETIC SENSORS
WWW.MICRONOR.COM
805 389 6600

TITLE: **MR430-1 CONTROLLER MODULE**

SIZE: **C** DWG. NO.: **MR430-1** REV: **X1**

SCALE: 1:1 SHEET: 1 OF 1