


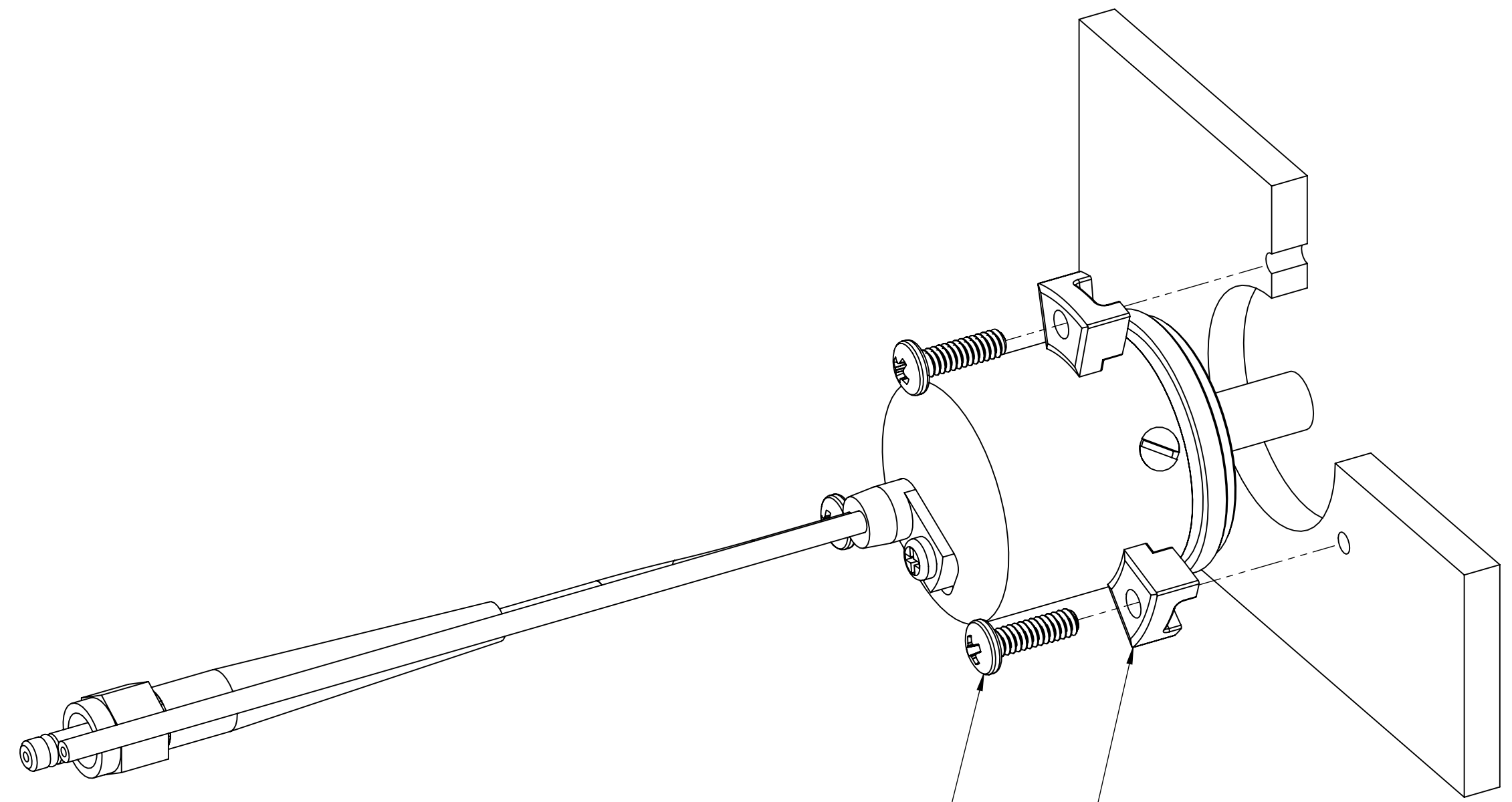
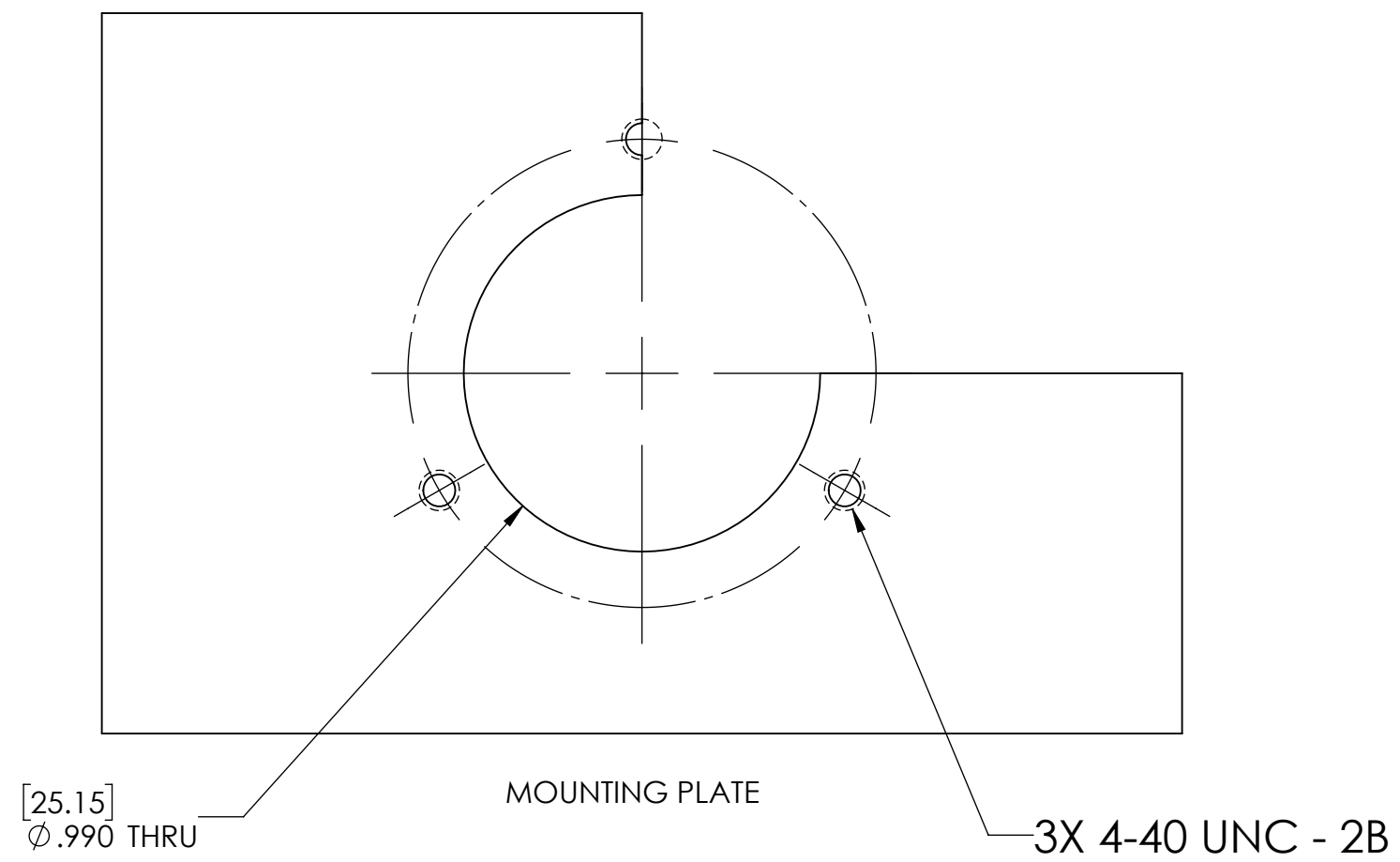
- 4 WARNING: KEEP CONNECTOR COVERS IN PLACE DURING STORAGE TO PROTECT FIBER OPTIC INTERFACES.
- 3 WARNING: DO NOT DROP UNIT. DROPPING OR OTHER SEVERE SHOCK IMPACTS MAY DAMAGE THE UNIT.
- 2 ALWAYS USE FLEXIBLE COUPLING WHEN MOUNTING SHAFT TO EXTERNAL EQUIPMENT.
- 1 DRAWINGS SUBJECT TO CHANGE WITHOUT NOTICE. FOR LATEST DRAWINGS, VISIT: WWW.MICRONOR.COM

NOTES: UNLESS OTHERWISE SPECIFIED

PROPRIETARY AND CONFIDENTIAL
 THE INFORMATION CONTAINED IN THIS DRAWING IS THE SOLE PROPERTY OF MICRONOR INC. ANY REPRODUCTION IN PART OR AS A WHOLE WITHOUT THE WRITTEN PERMISSION OF MICRONOR INC. IS PROHIBITED.

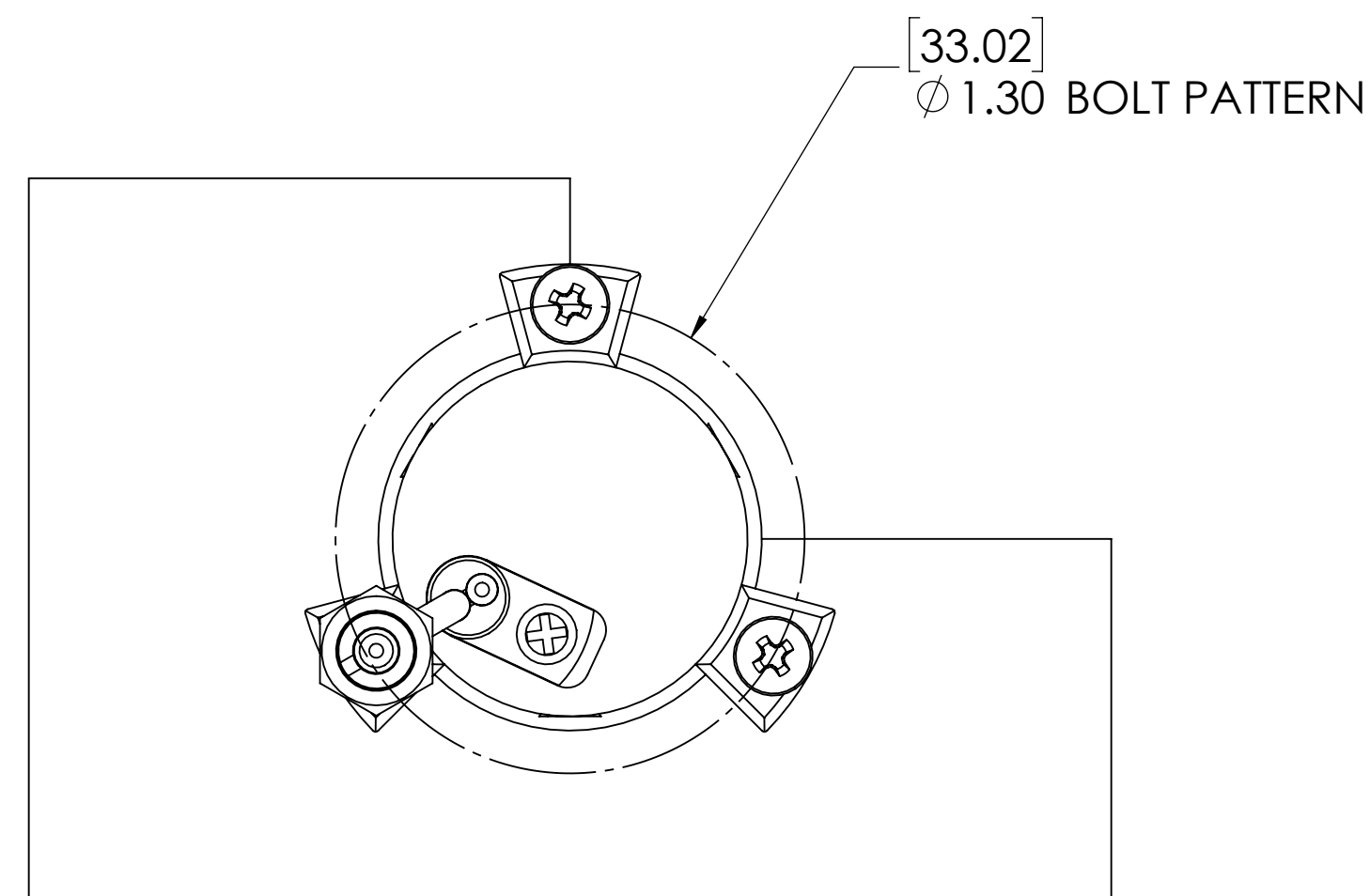
UNLESS OTHERWISE SPECIFIED:
 DIMENSIONS ARE IN INCHES
 TOLERANCES:
 TWO DECIMAL PLACE: $\pm .01$
 THREE DECIMAL PLACE: $\pm .004$
 FOUR DECIMAL PLACE: $\pm .0010$
 ANGULAR: $\pm .5^\circ$
 DO NOT SCALE DRAWING

 micronor FIBER OPTIC KINETIC SENSORS		WWW.MICRONOR.COM 805 389 6600	
TITLE:			
MR431 POSITION SENSOR			
SIZE	DWG. NO.	REV	
C	MR431	C	
SCALE:	2:1	SHEET:	1 OF 4



3X #4-40 NYLON SCREWS

3X SYNCRO CLAMPS*



*FOR A SET OF 3X SYNCRO CLAMPS AND SCREWS, ORDER MICRONOR P/N MR431-1101

1 DRAWINGS SUBJECT TO CHANGE WITHOUT NOTICE.
FOR LATEST DRAWINGS, VISIT: WWW.MICRONOR.COM

NOTES: UNLESS OTHERWISE SPECIFIED

PROPRIETARY AND CONFIDENTIAL
THE INFORMATION CONTAINED IN THIS DRAWING IS THE SOLE PROPERTY OF MICRONOR INC. ANY REPRODUCTION IN PART OR AS A WHOLE WITHOUT THE WRITTEN PERMISSION OF MICRONOR INC. IS PROHIBITED.

UNLESS OTHERWISE SPECIFIED:
DIMENSIONS ARE IN INCHES

TOLERANCES:
TWO DECIMAL PLACE: ±.01
THREE DECIMAL PLACE: ±.004
FOUR DECIMAL PLACE: ±.0010
ANGULAR: ±.5°

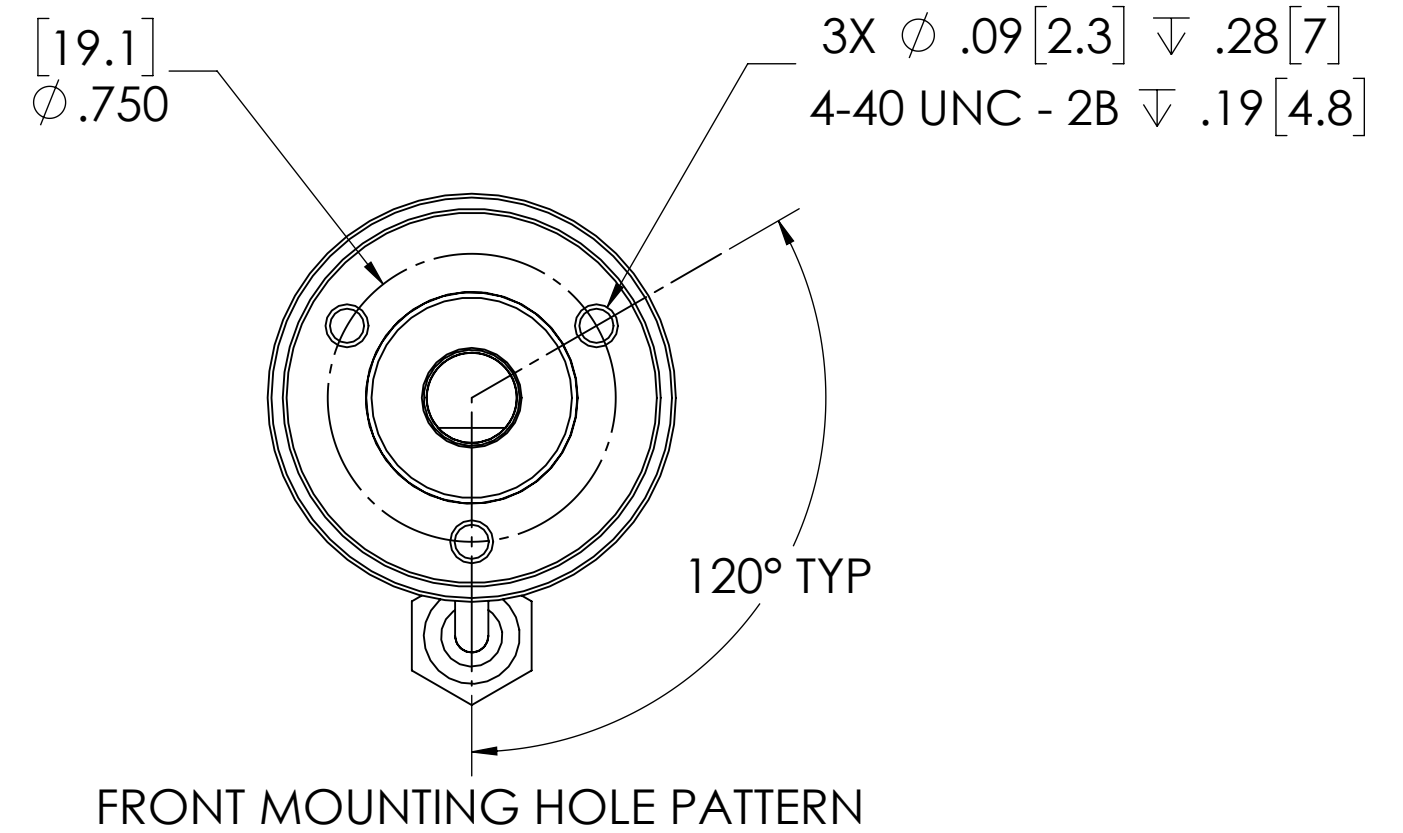
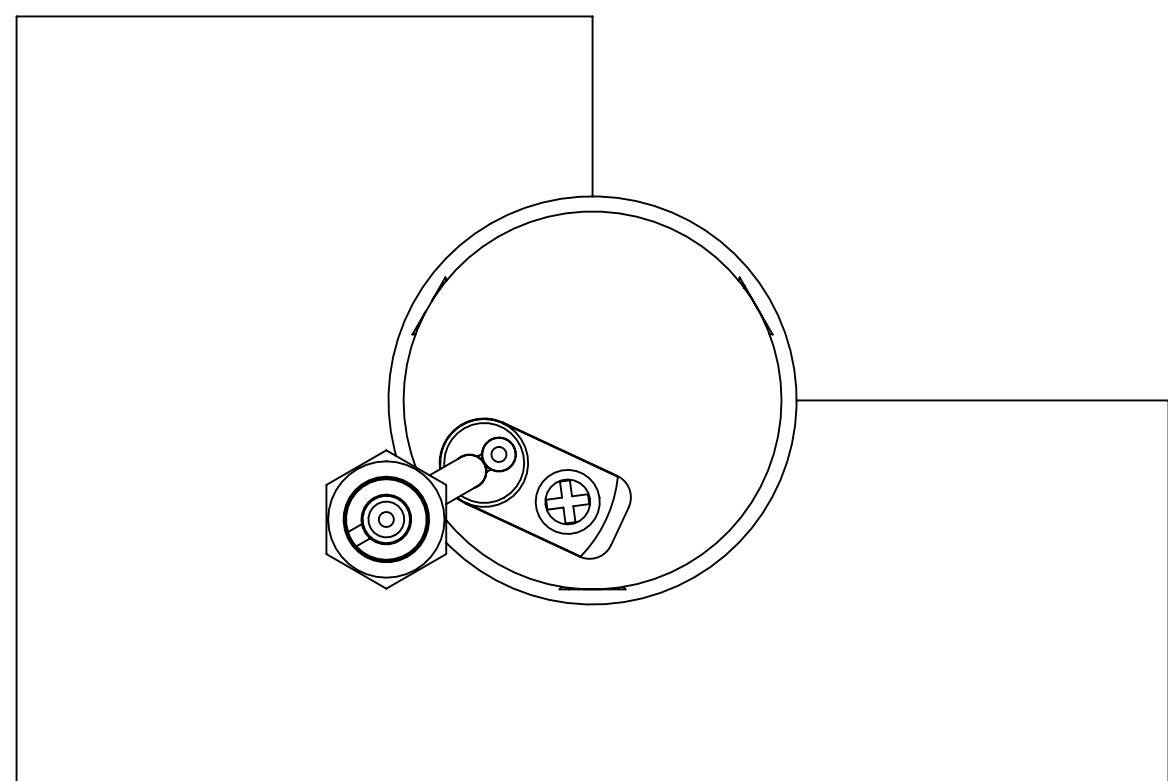
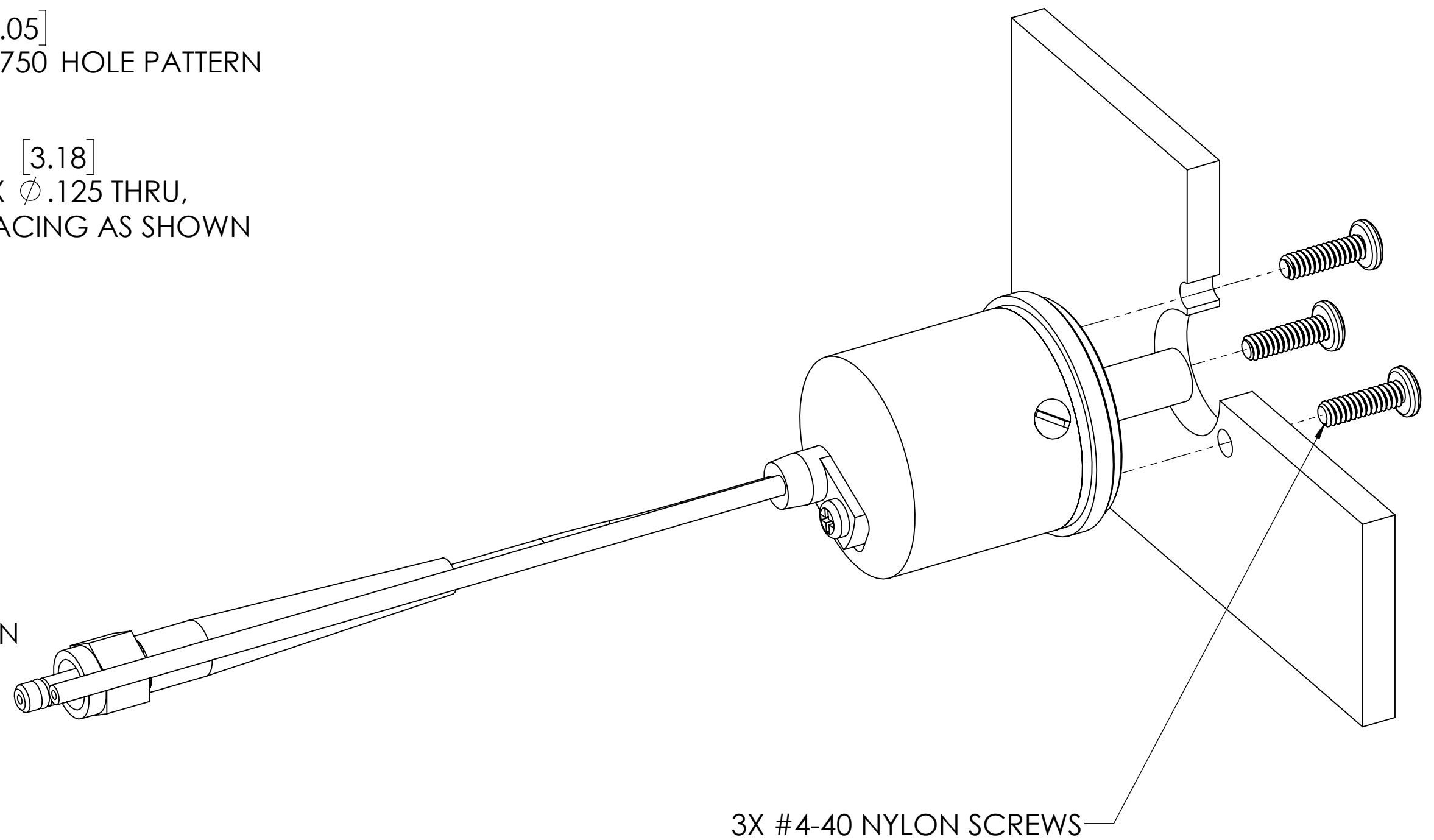
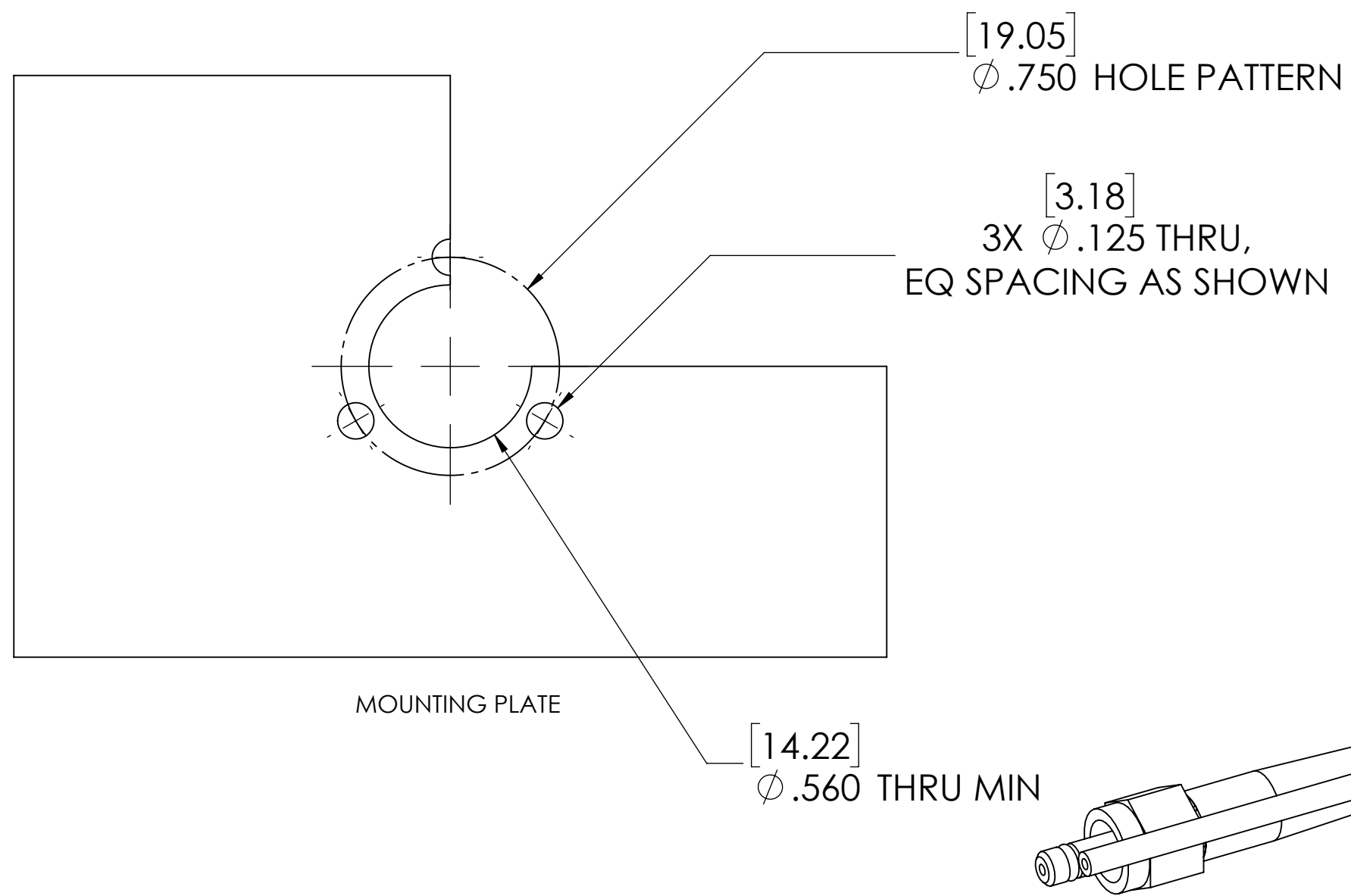
DO NOT SCALE DRAWING

 **micronor** WWW.MICRONOR.COM
FIBER OPTIC KINETIC SENSORS 805 389 6600

TITLE: **MR431 MOUNTING INSTRUCTIONS, SYNCRO CLAMPS**

SIZE C	DWG. NO. MR431	REV C
------------------	--------------------------	-----------------

SCALE: 2:1	SHEET: 2 OF 4
------------	---------------



1 DRAWINGS SUBJECT TO CHANGE WITHOUT NOTICE.
FOR LATEST DRAWINGS, VISIT: WWW.MICRONOR.COM

NOTES: UNLESS OTHERWISE SPECIFIED

PROPRIETARY AND CONFIDENTIAL
THE INFORMATION CONTAINED IN THIS DRAWING IS
THE SOLE PROPERTY OF MICRONOR INC. ANY
REPRODUCTION IN PART OR AS A WHOLE WITHOUT
THE WRITTEN PERMISSION OF MICRONOR INC. IS
PROHIBITED.

UNLESS OTHERWISE SPECIFIED:
DIMENSIONS ARE IN INCHES

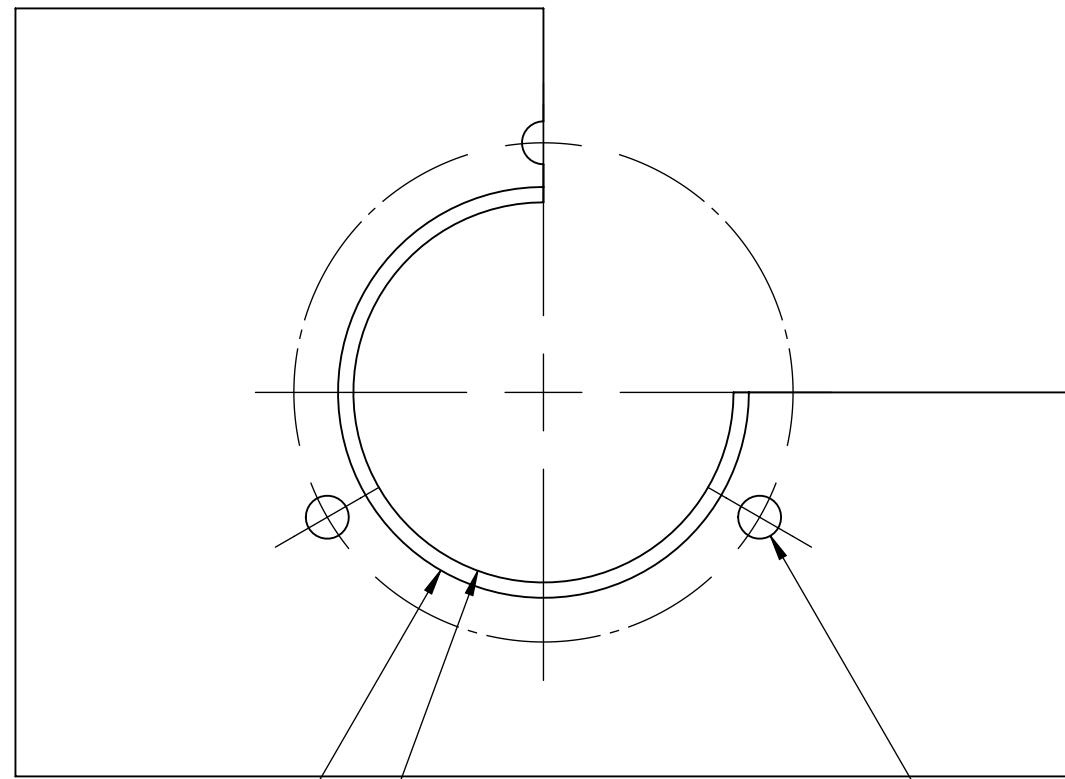
TOLERANCES:
TWO DECIMAL PLACE: ±.01
THREE DECIMAL PLACE: ±.004
FOUR DECIMAL PLACE: ±.0010
ANGULAR: ±.5°

DO NOT SCALE DRAWING

 **micronor** WWW.MICRONOR.COM
FIBER OPTIC KINETIC SENSORS 805 389 6600

TITLE:
**MR431 MOUNTING
INSTRUCTIONS, FRONT
MOUNT**

SIZE C	DWG. NO. MR431	REV C
SCALE: 2:1	SHEET: 3 OF 4	

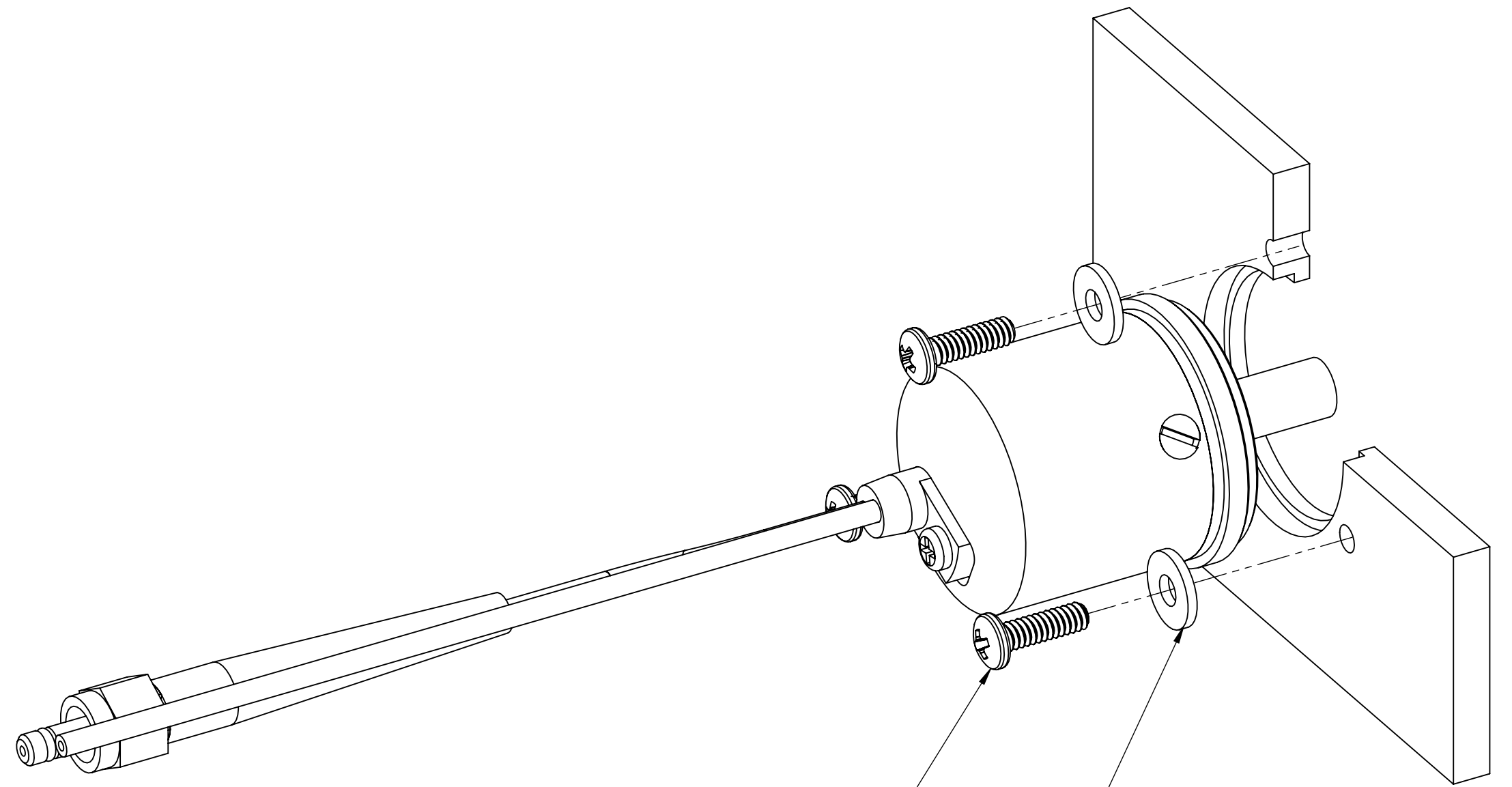


MOUNTING PLATE

[27.18]
 \varnothing 1.070 MIN
 ∇ .089 MAX

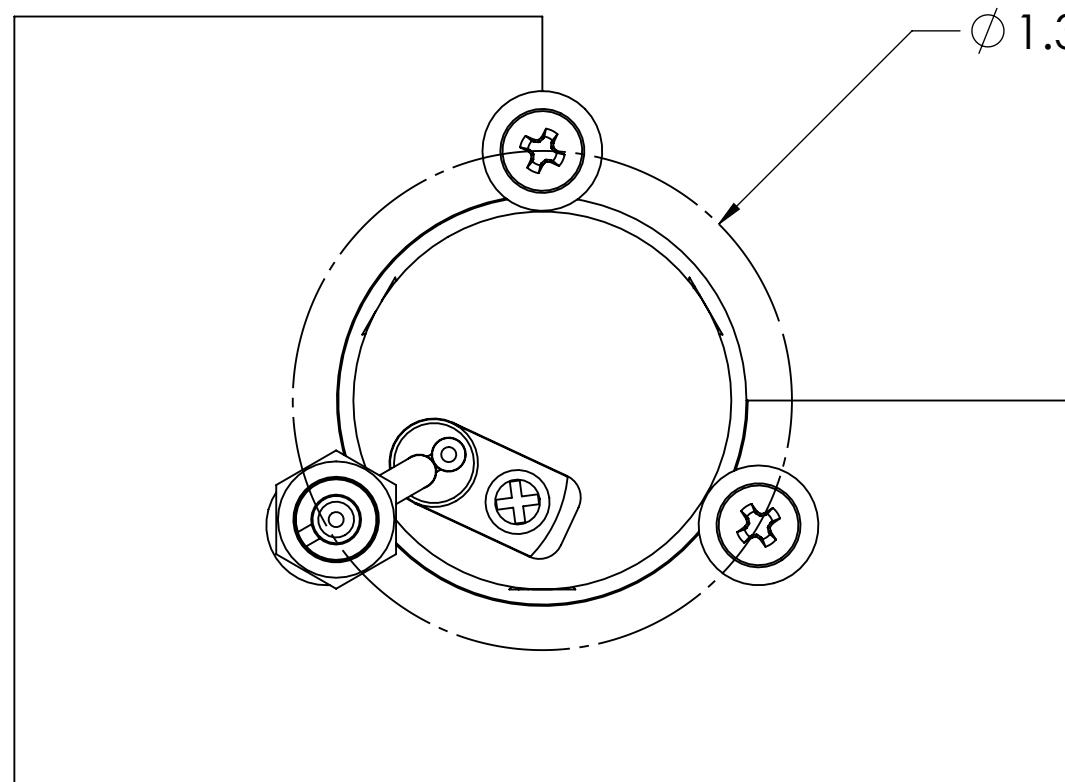
[25.15]
 \varnothing .990 THRU

[2.84]
 3X \varnothing .11 THRU,
 EQ SPACING AS SHOWN



3X #4-40 NYLON SCREWS

3X #4-40 NYLON WASHERS (OD: 0.312")



\varnothing 1.30 HOLE PATTERN

1 DRAWINGS SUBJECT TO CHANGE WITHOUT NOTICE.
 FOR LATEST DRAWINGS, VISIT: WWW.MICRONOR.COM

NOTES: UNLESS OTHERWISE SPECIFIED

PROPRIETARY AND CONFIDENTIAL

THE INFORMATION CONTAINED IN THIS DRAWING IS THE SOLE PROPERTY OF MICRONOR INC. ANY REPRODUCTION IN PART OR AS A WHOLE WITHOUT THE WRITTEN PERMISSION OF MICRONOR INC. IS PROHIBITED.

UNLESS OTHERWISE SPECIFIED:
 DIMENSIONS ARE IN INCHES

TOLERANCES:
 TWO DECIMAL PLACE: \pm .01
 THREE DECIMAL PLACE: \pm .004
 FOUR DECIMAL PLACE: \pm .0010
 ANGULAR: \pm .5°

DO NOT SCALE DRAWING

 **micronor** WWW.MICRONOR.COM
 FIBER OPTIC KINETIC SENSORS 805 389 6600

TITLE:
**MR431 MOUNTING
 INSTRUCTIONS, NYLON
 WASHERS**

SIZE C	DWG. NO. MR431	REV C
------------------	--------------------------	-----------------

SCALE: 2:1	SHEET: 4 OF 4
---------------	------------------