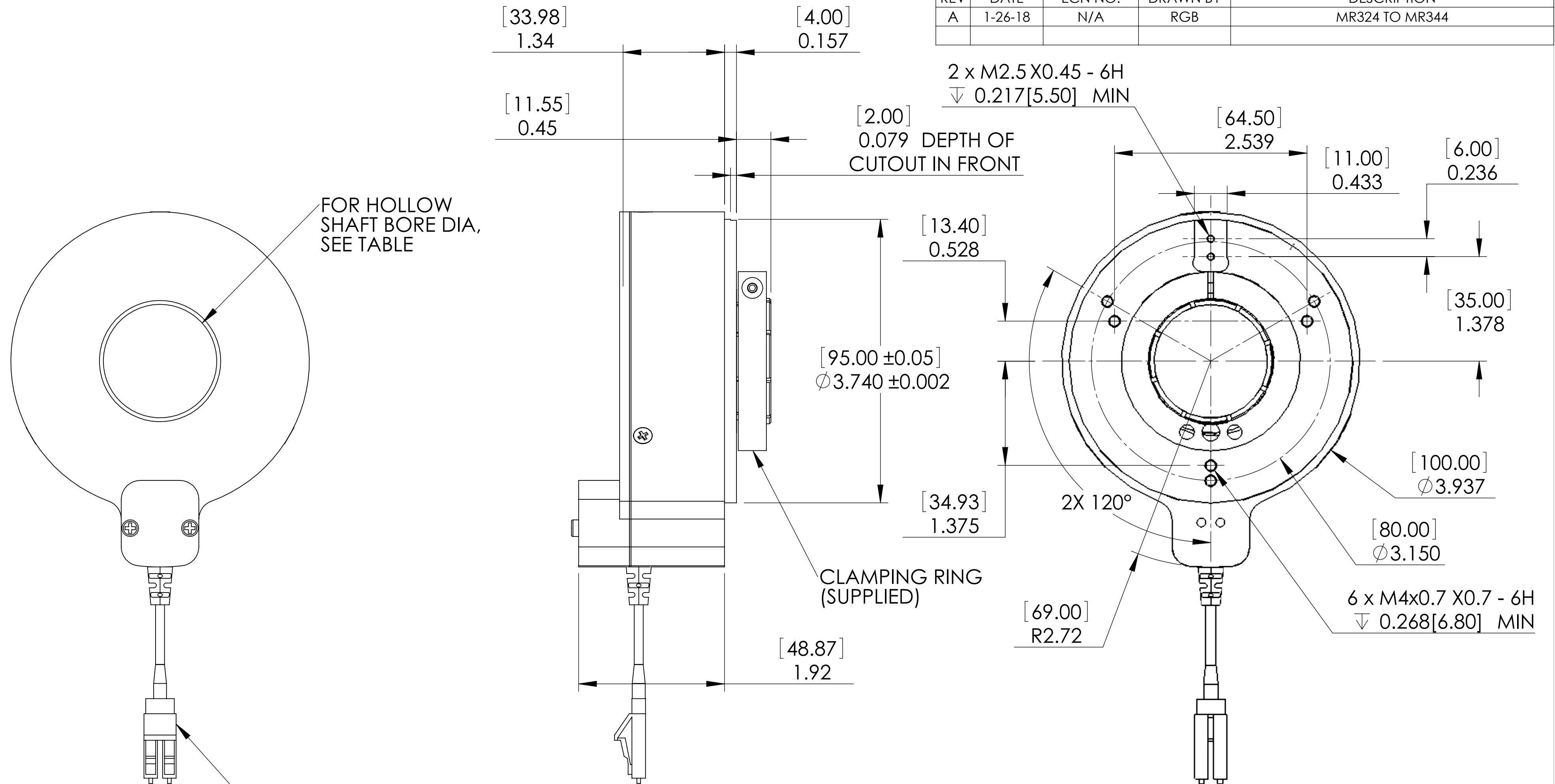


REVISIONS				
REV	DATE	ECN NO.	DRAWN BY	DESCRIPTION
A	1-26-18	N/A	RGB	MR324 TO MR344



PART NUMBER ORDERING CODE

MR344- F 38 C 1R5

RESOLUTION
 F = 1024

HOLLOW SHAFT BORE IN MILLIMETERS
 38 = 38MM HOLLOW SHAFT THRU HOLE
 ϕ 38.026 \pm 0.013
 ϕ 1.4971 \pm 0.0005

TEMPERATURE OPTION
 (BLANK) = STANDARD, -40 °C TO +80 °C
 E = EXTENDED, -60 °C TO +125 °C

PIGTAIL LENGTH IN METERS
 (R = DECIMAL POINT)
 1R5 = 1.5 METER


CONNECTOR TYPE
 C = DUPLEX LC

PROPRIETARY AND CONFIDENTIAL
 THE INFORMATION CONTAINED IN THIS DRAWING IS THE SOLE PROPERTY OF MICRONOR INC. ANY REPRODUCTION IN PART OR AS A WHOLE WITHOUT THE WRITTEN PERMISSION OF MICRONOR INC. IS PROHIBITED.

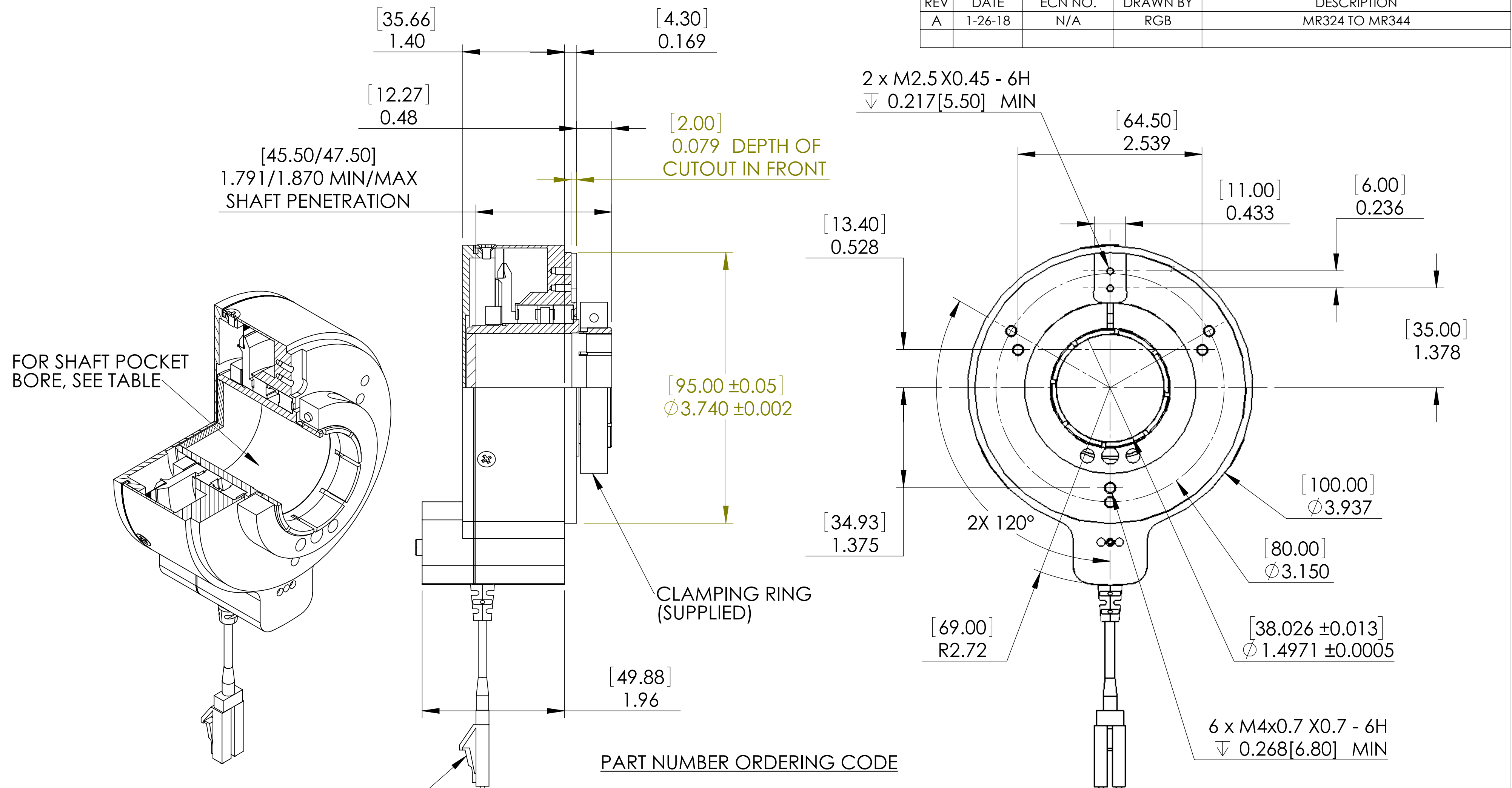
- WARNING: KEEP CONNECTOR COVERS IN PLACE DURING STORAGE, TO PROTECT FIBER OPTIC INTERFACES.
- WARNING: DO NOT DROP UNIT. DROPPING OR OTHER SEVERE SHOCK IMPACTS MAY DAMAGE UNIT.

NOTES: UNLESS OTHERWISE SPECIFIED

UNLESS OTHERWISE SPECIFIED: DIMENSIONS ARE IN INCHES	
TOLERANCES:	
TWO DECIMAL PLACE: \pm .01	
THREE DECIMAL PLACE: \pm .004	
FOUR DECIMAL PLACE: \pm .0010	
ANGULAR: \pm .5°	
MATERIAL:	SEE NOTES
FINISH:	SEE NOTES
DO NOT SCALE DRAWING	

 www.MICRONOR.COM 805 389 6600	
TITLE: MR344 ROTARY INCREMENTAL ENCODER ENVELOPE THRU HOLE VERSION	
SIZE C	DWG. NO. 98-0340-55
SCALE: 1:2	REV A
SHEET: 1 OF 2	

REVISIONS				
REV	DATE	ECN NO.	DRAWN BY	DESCRIPTION
A	1-26-18	N/A	RGB	MR324 TO MR344



- WARNING: DO NOT DROP UNIT. DROPPING OR OTHER SEVERE SHOCK IMPACTS MAY DAMAGE UNIT.
- WARNING: KEEP CONNECTOR COVERS IN PLACE DURING STORAGE, TO PROTECT FIBER OPTIC INTERFACES.

NOTES: UNLESS OTHERWISE SPECIFIED