

RE7557 SERIE



for Hybrids, Motors and Nuclear application

- ➔ Compact and small
- ➔ max. speed 28'000 RPM
- ➔ max. temperature up to 200°C
- ➔ Brushless Resolver
- ➔ Available in different model

Product description

The MICRONOR RE7557 frameless Resolver provides high performance in measurement and feedback applications where traditional resolver fail. Perfect for Aerospace, Space, Submarine or other severe applications. The solid rotor has no coils and the stator has only half the number of windings of a traditional brushless resolver, reliability is significantly increased. Solid rotor allows operation with the rotor oil or other liquids.

Application

Applications are Industrial tachometer, High-speed spindles, Motor feedback, for AC and DC Servo Motors, Angle measurement, Flight control systems, Hydraulic pumps, Down hole.

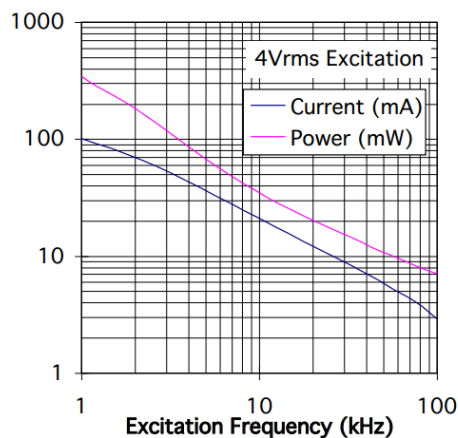
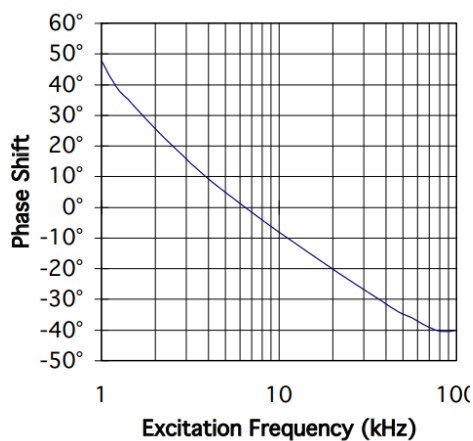
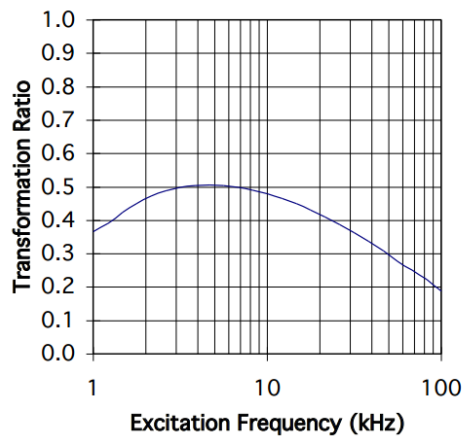
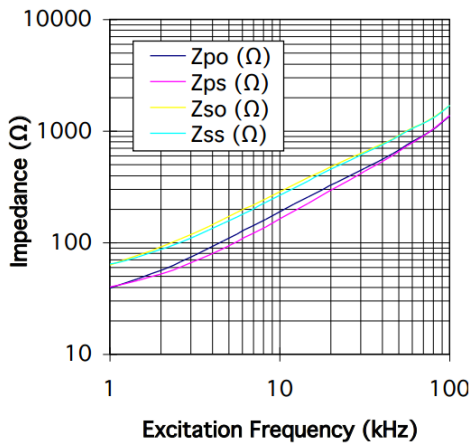
Technical Data

Max. dimension		ø 75 mm
Accuracy		+/- 60 arc minutes
Bore diameter		ø 46 H7
Cable outlet		300 mm
Lead wire size		26 AWG
Electrical data		
Excitation frequency		8 kHz typical
Excitation amplitude		5 Vrms typical
Primary DC resistance		30 Ohm (+/- 10%)
Secondary DC resistance		80 Ohm (+/- 10%)
Transformation ratio		0,5 (+/- 10%)
Insulation resistance		100 Mega Ohm minimum
Dielectric strength		(Hipot)
winding to winding		300 Vac
winding to housing		500 Vac
Mechanical data		
Operating temperature		(see order code)
Maximum speed		(see order code)
Radial air gap		0,3 mm nominal
Rotor inertia		1.8 gxc ² m
Rotor inertia		300 gxc ² m
Shock resistance		20G
Vibration		10....50Hz, 10G over 0.5 hrs.

RE7557 SERIE

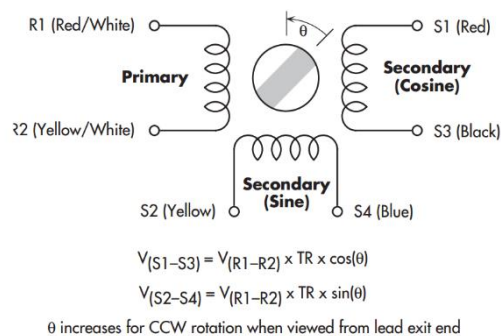


Electrical Outline drawing (only for info not absolute value)



Electrical connection

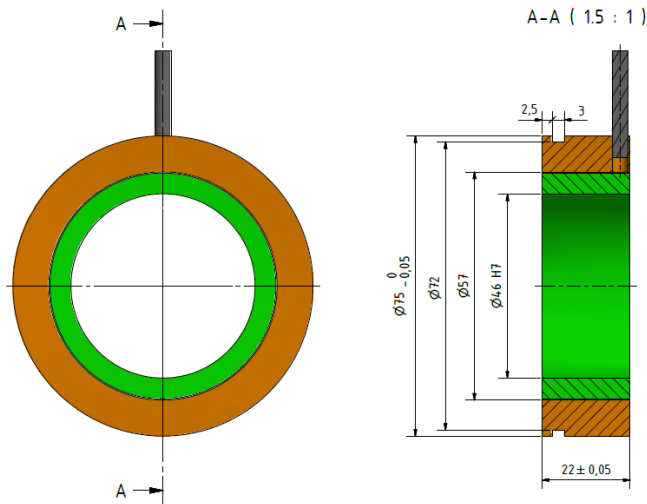
Ref+	red/white	R1
Ref-	yel/white	R2
Cos+	red	S1
Cos-	black	S3
Sin+	yellow	S2
Sin-	blue	S4



RE7557 SERIE



Reference drawing in mm



Order Code

Order Key

8	2	0	0	.	0	2	.	3	0	0
									a	b

Configuration

a	Temperature	
	1 Standard	-40°C bis +135°C
	2 High temperature	-70°C bis +200°C
b	Speed	
	1 Standard	25'000 U/min
	2 High Speed	28'000 U/min