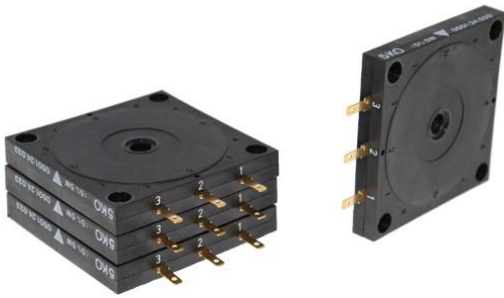


DPC SERIE

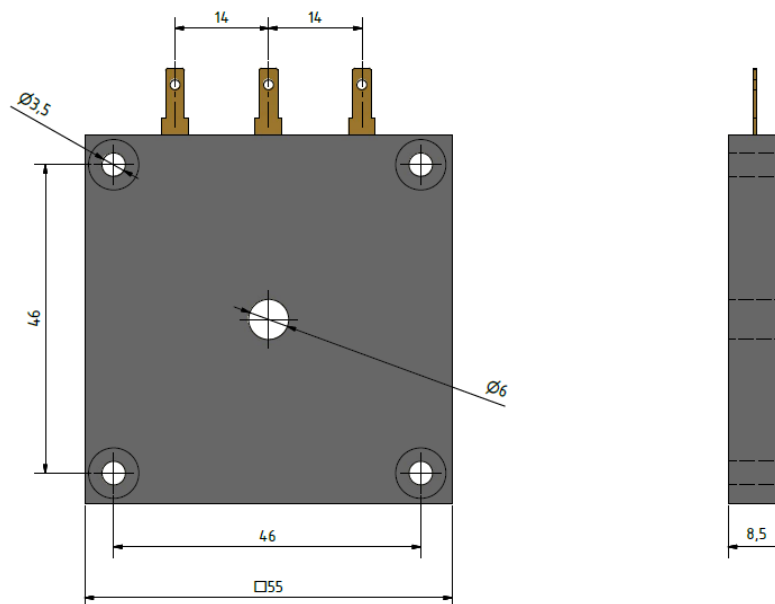


- ➔ High resolution
- ➔ Power rating 5W
- ➔ With profile shaft
- ➔ Flat connectors 2.8x0.5mm

Technical Data

Rotation angle mech. / electr.	0...330° = 0-100%
Resistance tolerance	±5 %
Linearity	<0.15%
Rotation life	1 Mill. turns.
Power rating	5 W (20 °C)
Slider current	100 mA
Temperature coefficient (ENR)	40 ppm / °C nom. (-25 °C +105 °C)
Rotational noise	100 Ω / 1 mA
End resistances	0,5 % R tot. 0,5 Ω
Dielectric strength	900 V DC
Torque	0.5 Ncm
Synchronous run	0.5%
solder and plug socket connections	2 x 2,8 x 0,5 mm (DIN 46244 A)

Reference drawing in mm



DPC SERIE



Order Code

Part number	Description
0501.24.041	Potentiometer DPC 100 Ohm 5Watt
0501.24.021	Potentiometer DPC 130 Ohm 5Watt
0501.24.023	Potentiometer DPC 200 Ohm 5Watt
0501.24.025	Potentiometer DPC 500 Ohm 5Watt
0501.24.026	Potentiometer DPC 1 kOhm 5Watt
0501.24.029	Potentiometer DPC 2 kOhm 5Watt
0501.24.030	Potentiometer DPC 2.5 kOhm 5Watt
0501.24.033	Potentiometer DPC 5 kOhm 5Watt
0501.24.036	Potentiometer DPC 10 kOhm 5Watt
0501.24.032	Potentiometer DPC 20 kOhm 5Watt
0501.24.035	Potentiometer DPC 100 kOhm 5Watt



Do you have any Questions ? Phone: +41 (0)44 843 40 20 or Mail: sales@micronor.ch