

DPZ SERIE

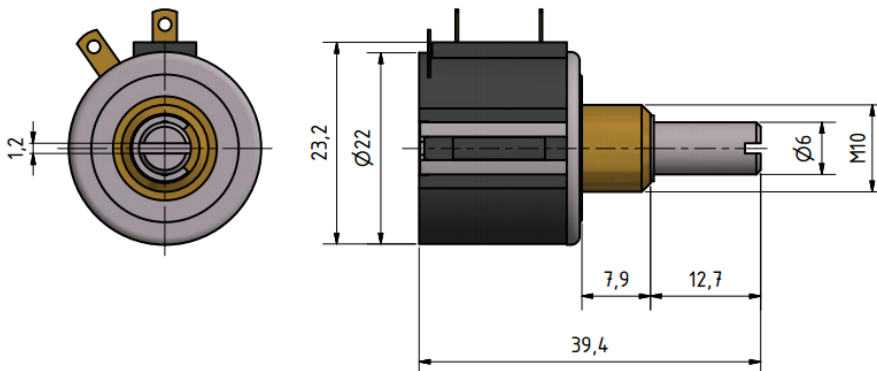


- ➔ With solder tags
- ➔ Power 2W
- ➔ Linearity < 0.15%
- ➔ Protection class IP67

Technical Data

Rotation angle mech. / electr.	10 x 360° = 3600° (+10%)
Resistance tolerance	±5 %
Linearity	<0.15%
Rotation life	1 Mill. Umdr. / Turn
Power rating	2 W (40 °C)
Slider current	50 mA
Temperature coefficient	40 ppm / °C nom. (-55 °C +125 °C)
Rotational noise (ENR)	100 Ω / 1 mA
End resistances	0,5 % R tot. min. 0,5 Ω
Dielectric strength	1500V DC
Torque	0,2...0,5 Ncm
Torque (Nut M10)	100 Ncm
Synchronous run	0,5 %

Reference drawing in mm



DPZ SERIE



Order code

Part number	Description
0501.24.059	Potentiometer DPZ 100Ohm 2Watt
0501.24.060	Potentiometer DPZ 200Ohm 2Watt
0501.24.061	Potentiometer DPZ 500Ohm 2Watt
0501.24.062	Potentiometer DPZ 1kOhm 2Watt
0501.24.063	Potentiometer DPZ 2kOhm 2Watt
0501.24.064	Potentiometer DPZ 5kOhm 2Watt
0501.24.065	Potentiometer DPZ 10kOhm 2Watt
0501.24.066	Potentiometer DPZ 20kOhm 2Watt
0501.24.067	Potentiometer DPZ 50kOhm 2Watt
0501.24.068	Potentiometer DPZ 100kOhm 2Watt



Do you have any Questions?

Phone: +41 (0)44 843 40 20 or Mail: sales@micronor.ch