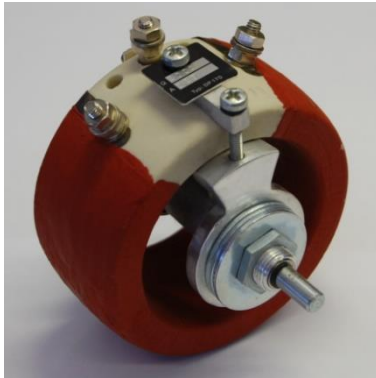


DPM60 SERIE



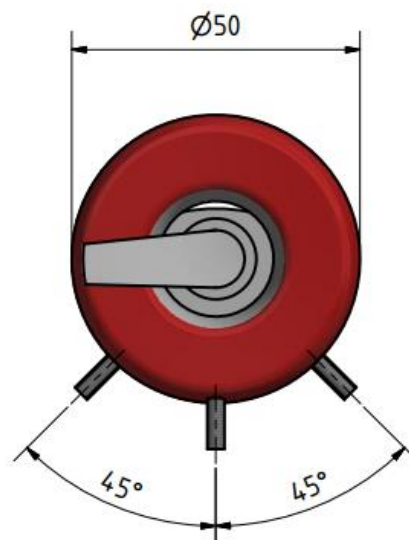
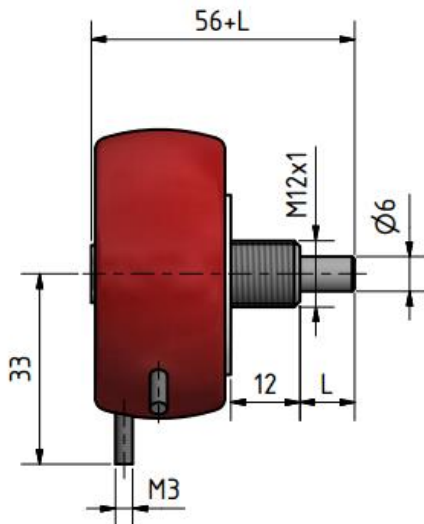
- ➔ With M3 screws connectors
- ➔ Power rating 60W
- ➔ Resistance tolerance +/- 5 %
- ➔ Mechanical stop

Technical Data

Resistance tolerance	±5%
Power rating	60W (40 °C)
Dielectric strength	2000V AC /50Hz
Angle electr. / mech.	258° / 270°
Weight	170g

Reference drawing in mm

L = 15.5 mm



DPM60 SERIE



Order code

Part number	Description
0501.24.229	Potentiometer DPM60 (60 W); 5R
0501.24.230	Potentiometer DPM60 (60 W); 6R
0501.24.231	Potentiometer DPM60 (60 W); 8R
0501.24.232	Potentiometer DPM60 (60 W); 10R
0501.24.233	Potentiometer DPM60 (60 W); 15R
0501.24.234	Potentiometer DPM60 (60 W); 20R
0501.24.235	Potentiometer DPM60 (60 W); 25R
0501.24.236	Potentiometer DPM60 (60 W); 30R
0501.24.237	Potentiometer DPM60 (60 W); 40R
0501.24.238	Potentiometer DPM60 (60 W); 50R
0501.24.239	Potentiometer DPM60 (60 W); 60R
0501.24.240	Potentiometer DPM60 (60 W); 80R
0501.24.241	Potentiometer DPM60 (60 W); 100R
0501.24.242	Potentiometer DPM60 (60 W); 150R
0501.24.243	Potentiometer DPM60 (60 W); 200R
0501.24.244	Potentiometer DPM60 (60 W); 250R
0501.24.245	Potentiometer DPM60 (60 W); 300R
0501.24.246	Potentiometer DPM60 (60 W); 400R
0501.24.247	Potentiometer DPM60 (60 W); 500R
0501.24.248	Potentiometer DPM60 (60 W); 600R
0501.24.249	Potentiometer DPM60 (60 W); 800R
0501.24.250	Potentiometer DPM60 (60 W); 1kOhm
0501.24.251	Potentiometer DPM60 (60 W); 1.5kOhm
0501.24.252	Potentiometer DPM60 (60 W); 2kOhm
0501.24.253	Potentiometer DPM60 (60 W); 2.5kOhm
0501.24.254	Potentiometer DPM60 (60 W); 3kOhm
0501.24.255	Potentiometer DPM60 (60 W); 4kOhm
0501.24.256	Potentiometer DPM60 (60 W); 5kOhm
0501.24.257	Potentiometer DPM60 (60 W); 6kOhm
0501.24.258	Potentiometer DPM60 (60 W); 8kOhm
0501.24.259	Potentiometer DPM60 (60 W); 10kOhm
0501.24.260	Potentiometer DPM60 (60 W); 15kOhm
0501.24.261	Potentiometer DPM60 (60 W); 20kOhm



Do you have any Questions ?

Phone: 0041 44 843 40 20 or Mail: sales@micronor.ch