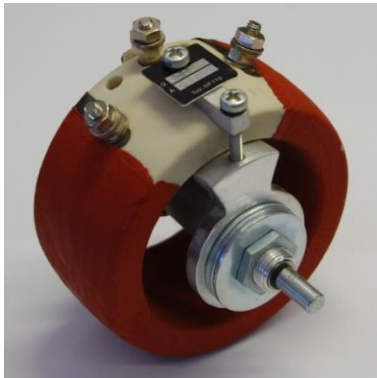


DPM170 SERIE



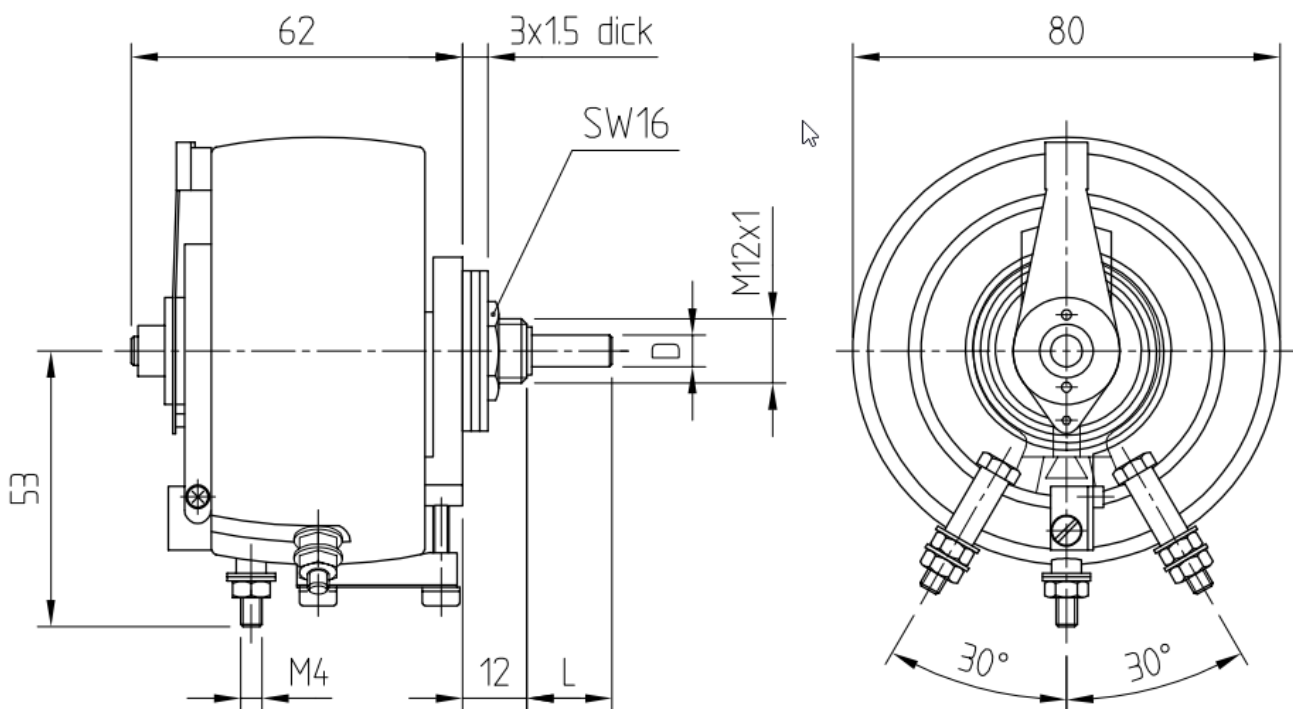
- ➡ With M3 screws connectors
- ➡ Power rating 170W
- ➡ Resistance tolerance +/- 5 %
- ➡ Mechanical stop

Technical Data

Resistance tolerance	±5%
Power rating	170W (20 °C)
Dielectric strength	2000V AC /50Hz
Angle electr. / mech.	250° / 270°
Weight	170g

Reference drawing in mm

L = 16 mm



DPM170 SERIE



Order Code

Part number	Description
0501.24.262	Potentiometer DPM170 (170 W); 2R
0501.24.263	Potentiometer DPM170 (170 W); 3R
0501.24.264	Potentiometer DPM170 (170 W); 4R
0501.24.265	Potentiometer DPM170 (170 W); 5R
0501.24.266	Potentiometer DPM170 (170 W); 6R
0501.24.267	Potentiometer DPM170 (170 W); 8R
0501.24.268	Potentiometer DPM170 (170 W); 10R
0501.24.269	Potentiometer DPM170 (170 W); 15R
0501.24.270	Potentiometer DPM170 (170 W); 17R
0501.24.271	Potentiometer DPM170 (170 W); 25R
0501.24.272	Potentiometer DPM170 (170 W); 30R
0501.24.273	Potentiometer DPM170 (170 W); 40R
0501.24.274	Potentiometer DPM170 (170 W); 50R
0501.24.275	Potentiometer DPM170 (170 W); 60R
0501.24.276	Potentiometer DPM170 (170 W); 80R
0501.24.277	Potentiometer DPM170 (170 W); 100R
0501.24.278	Potentiometer DPM170 (170 W); 150R
0501.24.279	Potentiometer DPM170 (170 W); 170R
0501.24.280	Potentiometer DPM170 (170 W); 250R
0501.24.281	Potentiometer DPM170 (170 W); 300R
0501.24.282	Potentiometer DPM170 (170 W); 400R
0501.24.283	Potentiometer DPM170 (170 W); 500R
0501.24.284	Potentiometer DPM170 (170 W); 600R
0501.24.285	Potentiometer DPM170 (170 W); 800R
0501.24.286	Potentiometer DPM170 (170 W); 1kOhm
0501.24.287	Potentiometer DPM170 (170 W); 1.5kOhm
0501.24.288	Potentiometer DPM170 (170 W); 2kOhm
0501.24.289	Potentiometer DPM170 (170 W); 2.5kOhm
0501.24.290	Potentiometer DPM170 (170 W); 3kOhm
0501.24.291	Potentiometer DPM170 (170 W); 4kOhm
0501.24.292	Potentiometer DPM170 (170 W); 5kOhm
0501.24.293	Potentiometer DPM170 (170 W); 6kOhm
0501.24.294	Potentiometer DPM170 (170 W); 8kOhm
0501.24.295	Potentiometer DPM170 (170 W); 10kOhm
0501.24.296	Potentiometer DPM170 (170 W); 15kOhm
0501.24.297	Potentiometer DPM170 (170 W); 17kOhm
0501.24.298	Potentiometer DPM170 (170 W); 25kOhm
0501.24.299	Potentiometer DPM170 (170 W); 30kOhm
0501.24.300	Potentiometer DPM170 (170 W); 40kOhm
0501.24.301	Potentiometer DPM170 (170 W); 50kOhm
0501.24.302	Potentiometer DPM170 (170 W); 60kOhm



Do you have any Questions ? Phone: +41 (0)44 843 40 20 or Mail: sales@micronor.ch