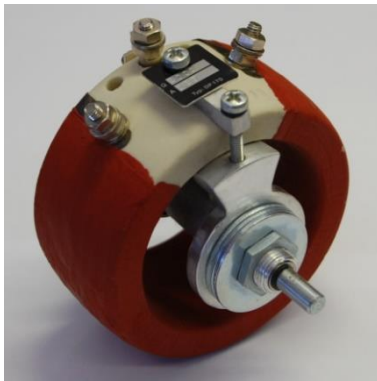


DPM20 SERIE



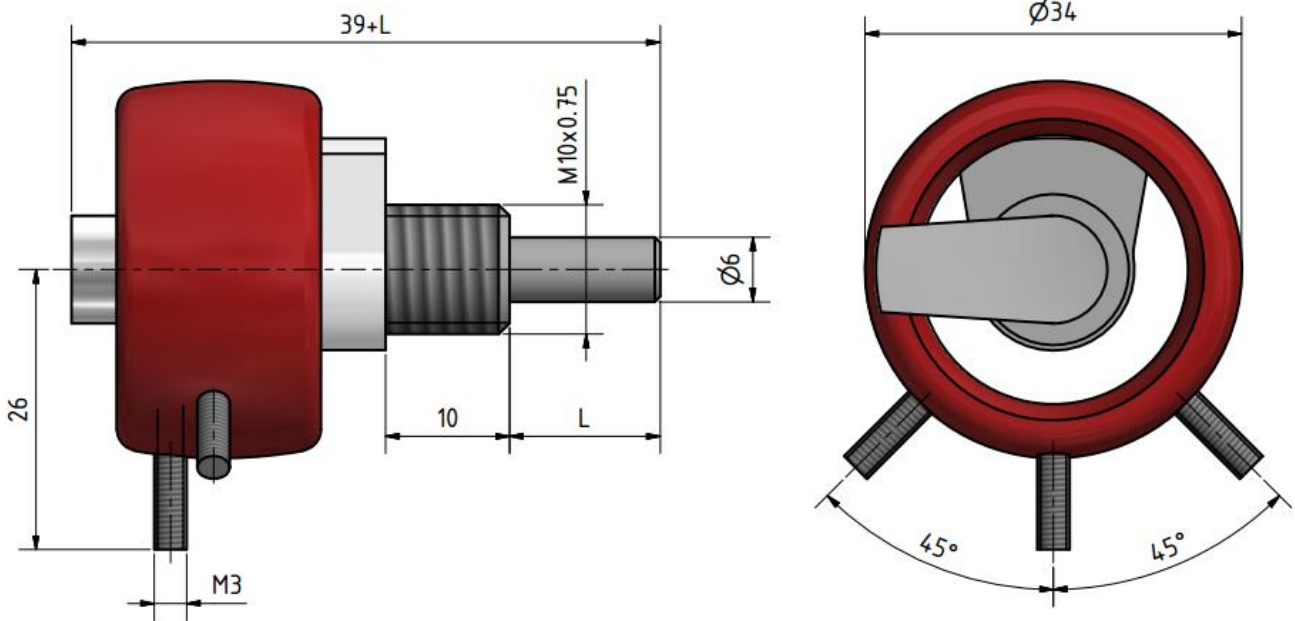
- ➔ With M3 screws connectors
- ➔ Power rating 20W
- ➔ Resistance tolerance +/- 5 %
- ➔ Mechanical stop

Technical Data

Resistance tolerance	±5%
Power rating	20W (20 °C)
Dielectric strength	2000V AC /50Hz
Angle elctr. / mech.	250° / 270°
Weight	70g

Reference drawing in mm

L = 15.5 mm



DPM20 SERIE



Order Code

Part number	Description
0501.24.197	Potentiometer DPM20 (20 W); 5R
0501.24.198	Potentiometer DPM20 (20 W); 6R
0501.24.199	Potentiometer DPM20 (20 W); 8R
0501.24.200	Potentiometer DPM20 (20 W); 10R
0501.24.201	Potentiometer DPM20 (20 W); 15R
0501.24.202	Potentiometer DPM20 (20 W); 20R
0501.24.203	Potentiometer DPM20 (20 W); 25R
0501.24.204	Potentiometer DPM20 (20 W); 30R
0501.24.205	Potentiometer DPM20 (20 W); 40R
0501.24.206	Potentiometer DPM20 (20 W); 50R
0501.24.207	Potentiometer DPM20 (20 W); 60R
0501.24.208	Potentiometer DPM20 (20 W); 80R
0501.24.209	Potentiometer DPM20 (20 W); 100R
0501.24.210	Potentiometer DPM20 (20 W); 150R
0501.24.211	Potentiometer DPM20 (20 W); 200R
0501.24.212	Potentiometer DPM20 (20 W); 250R
0501.24.213	Potentiometer DPM20 (20 W); 300R
0501.24.214	Potentiometer DPM20 (20 W); 400R
0501.24.215	Potentiometer DPM20 (20 W); 500R
0501.24.216	Potentiometer DPM20 (20 W); 600R
0501.24.217	Potentiometer DPM20 (20 W); 800R
0501.24.218	Potentiometer DPM20 (20 W); 1kOhm
0501.24.219	Potentiometer DPM20 (20 W); 1.5kOhm
0501.24.220	Potentiometer DPM20 (20 W); 2kOhm
0501.24.221	Potentiometer DPM20 (20 W); 2.5kOhm
0501.24.222	Potentiometer DPM20 (20 W); 3kOhm
0501.24.223	Potentiometer DPM20 (20 W); 4kOhm
0501.24.224	Potentiometer DPM20 (20 W); 5kOhm
0501.24.225	Potentiometer DPM20 (20 W); 6kOhm
0501.24.226	Potentiometer DPM20 (20 W); 8kOhm
0501.24.227	Potentiometer DPM20 (20 W); 10kOhm
0501.24.228	Potentiometer DPM20 (20 W); 15kOhm



Do you have any Questions ? Phone: +41 (0)44 843 40 20 or Mail: sales@micronor.ch