

Motor - AC - MS2S



- ➡ suitable for all motorized potentiometer
- ➡ suitable for all cam timer
- ➡ 50/60 Hz
- ➡ 24V ... 240V AC

Technical Data

Electrical data

Rated voltages/condenser	50 Hz 0,068 µF 0,027 µF 1,5 µF 6,8 µF	60 Hz 0,068 µF 0,027 µF 1,5 µF 4,7 µF	MS2S 220 ... 240V AC 110 ... 120V AC 48 ... 50V AC 24V AC
Capacity of tolerance			± 10%
Variation from rated voltage			± 10%
High voltage test to frame			2000V / 50 Hz / 1 min.
Coil surge voltage strength			5kV / 1 / 50 us
Power consumption			50 Hz: 2,5W / 2,5VA 60 Hz: 2,5W / 2,5VA

Mechanical data

Rotor speed		50 Hz 500 U/min	60 Hz 600 U/min
Running torque referred to 1 rpm		350 Ncm	
Number of starts		> 50 x 10 ⁶	
Start delay		40ms	
Standstill immediately following open circuit			
Gear torque		32 Ncm	
Permissible axial thrust		10 N	
Permissible lateral thrust		50 N	
Running times from/to		1s - 24h	

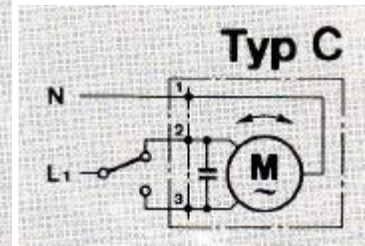
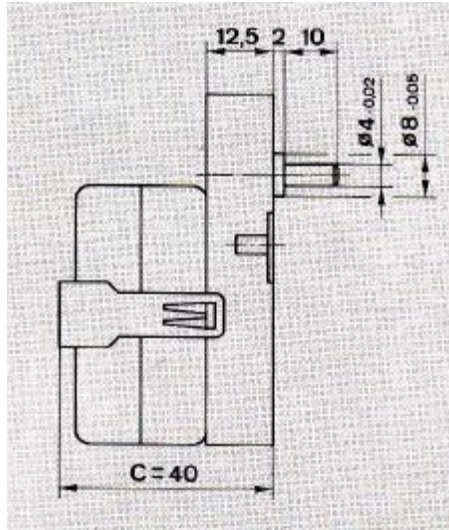
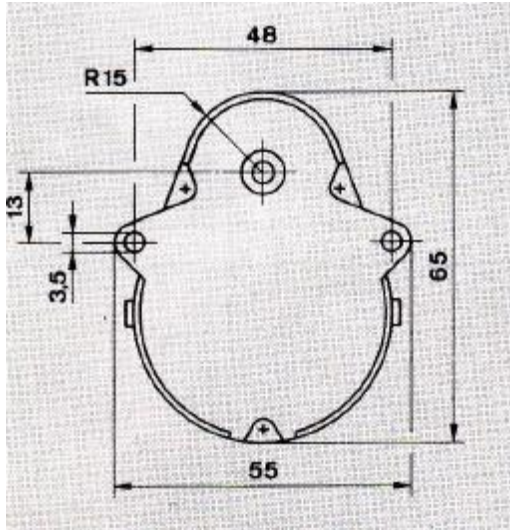
General data

Ambient temperature	-15° C / +60° C
Life in continuous operation	> 3 Years
Mounting optional position	
Connections	DIN 46244 A
Solder and plug socket	2,8 x 0,5mm
Weight approximately	180g

Motor - AC - MS2S



Reference drawing including gearbox in mm



Order code

Part number	Description
5940.12.400	All motors incl. connection plate, mounting bracket and condenser MS2S 24V 50/60 Hz
5940.12.500	MS2S 48...50V 50/60 Hz
5940.12.600	MS2S 110...120V 50/60 Hz
5940.12.700	MS2S 220...240V 50/60 Hz

Accessories

5601.01.005	Condenser 0,068 µF for MS2S 220...240V 50/60Hz
5601.01.017	Condenser 0,33 µF for MS2S 110...120V 50/60Hz
5601.01.027	Condenser 1,5 µF for MS2S 48...50V 50/60Hz
5601.01.033	Condenser 4,7 µF for MS2S 24V 60Hz
5601.01.035	Condenser 6,8 µF for MS2S 24V 50Hz
6099.00.930	Mounting bracket for motor MS2S



Do you have any Questions ?

Phone: +41 (0)44 843 40 20 or Mail: sales@micronor.ch