

KS25B4 SERIE



For Industrial, Crane's and Lockings

- ➔ Compact and very flat micro switch
- ➔ Adjustable switching point
- ➔ Self cleaning contacts
- ➔ Connection in one plane

Product description

The microswitch KS25B4 is measured in a very small size. With the adjustment screw you could change to switching point for best result on your application. All contact have two connectors, so it will be easy if you have to batch several switches.

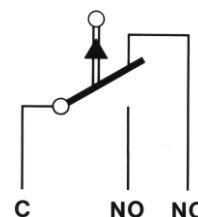
Technical Data

Precision snap action switch

KS25B4

Common contact
Rest contact, normally closed
Actuating contact, normally open

COM (1)
NC (2)
NO (3)



Technical data
Switching power

250V AC 4A
60V DC 1A

Contact material / Contact resistance

KS25B4 (Ag 999) <25 mΩ

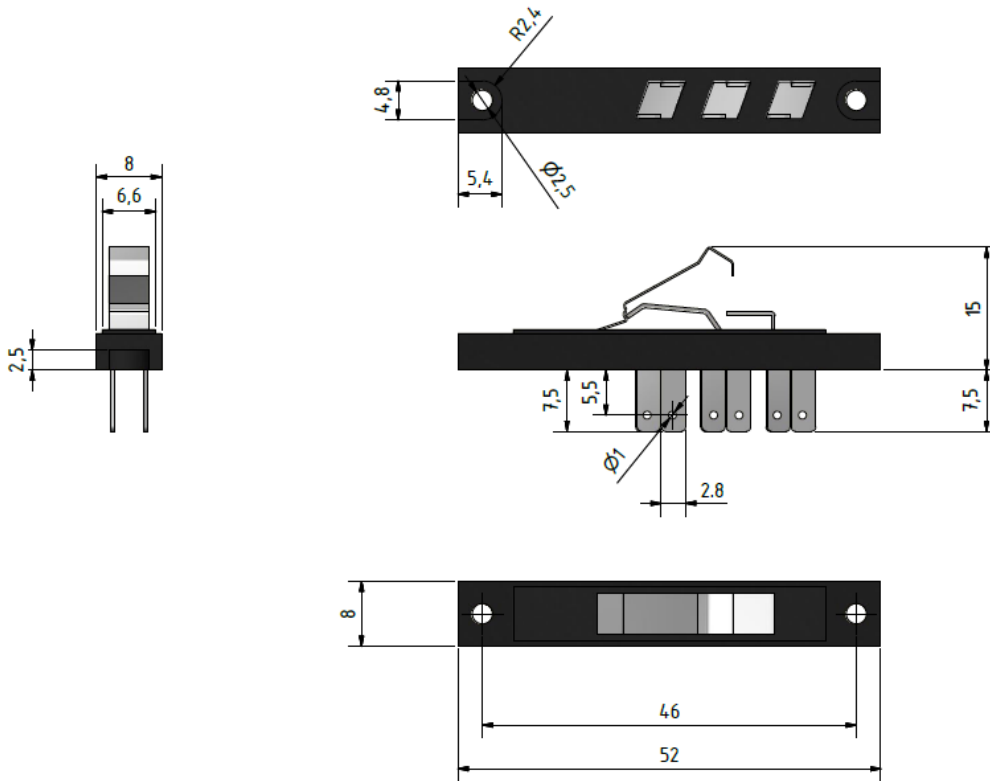
Mechanical life time
Switching frequency
Contact chatter time
Actuating speed
Contact break
Contact pressure
Temperature range
Double solder and plug socket connections
Weight

>20 Mill.
5 Hz
<4 ms
>10 μm/s
0,6 mm
0,2 N
-20 +85 °C
2 x 2,8 x 0,5 mm (DIN 46244 A)
ca. 8 g

KS25B4 SERIE



Reference drawing in mm



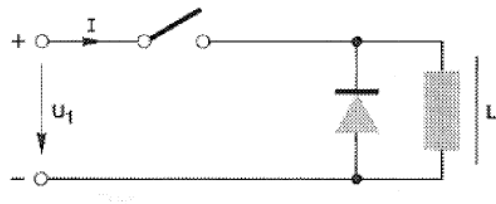
KS25B4 SERIE



Spark quenching with inductive load

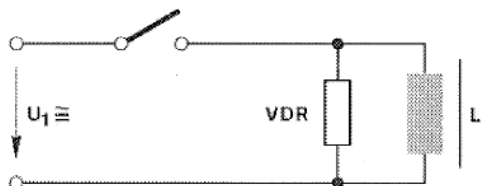
With the circuits proposed the switching current can be increased when switching and inductive load. The maximum switching current is obtained with pure resistive load.

Diode protective circuit for VDC only:



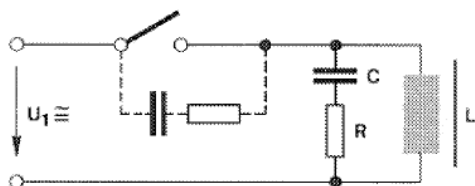
The diodes used must withstand the following loads:
 Fast diode $U_{FRM} \cong 10 \cdot U_1$
 $I_{FRM} \cong 10 \cdot I_L$
 $t_{rr} \cong 500 \text{ ns}$
 U_{FRM} = Periodic peak blocking voltage
 I_{FRM} = Periodic peak forward current
 t_{rr} = Recovery time

Varistor protective circuit for VAC and VDC:



$U_{VDR} \cong 1,4 \cdot U_1$ (alternating current)
 $U_{VDR} \cong U_1$ (direct current)

protective circuit for VAC and VDC:



The following rules of thumb have proved useful in practice:
 $C(\mu F)$ = holding current of coil (A)
 $R(\Omega)$ = resistance of the coil (Ω)

Order Code

Part number	Description
6099.00.035	Microswitch KS25B4



Do you have any questions?

Phone: +41 (0)44 843 40 20 or Mail: sales@micronor.ch