

## MRAD Measuring wheel



### Passend für Lineare Messungen

- ➡ Suitable for encoders with 6 / 10mm shafts
- ➡ Various surfaces
- ➡ Different hole diameter
- ➡ Available with 0.2m and 0.5m circumference

### Product description

Measuring wheels for length measurement of running material to be measured, e.g. in the paper, metal, textile, wood or plastics industries. Different wheel coverings to suit the different surfaces of the material to be measured - different diameters, matched to standard encoders for metric measuring system.

### Application

Among others, the areas of application can be found in the paper, metal, wood or plastics industries.

### NOTE:

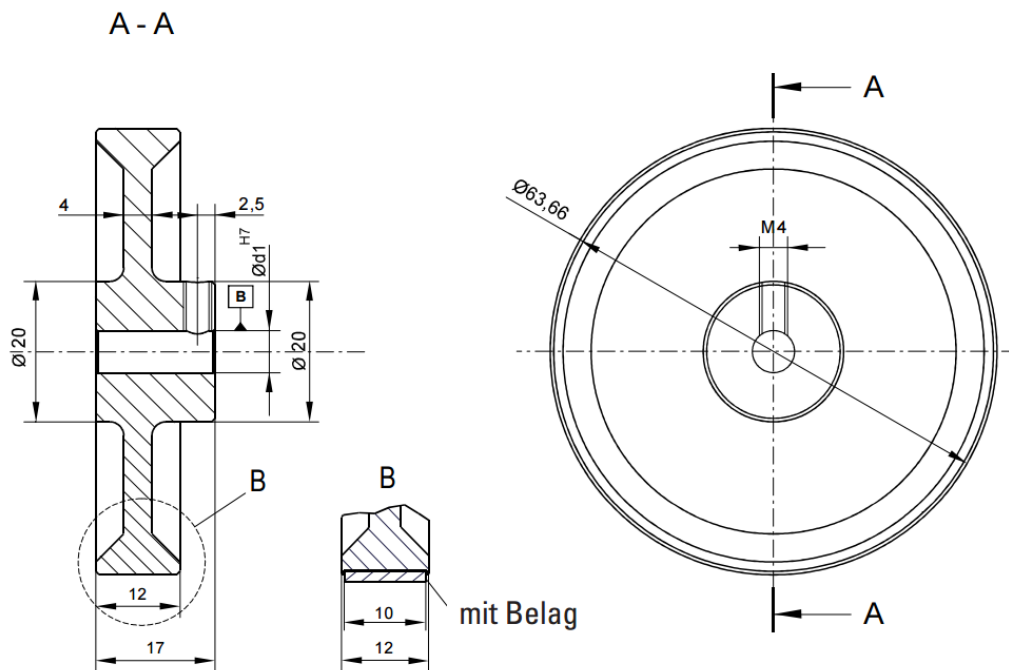
If a measuring wheel is mounted directly on the encoder shaft, the contact pressure between the measuring wheel and the material to be measured must not exceed the radial shaft load specified in the encoder data sheet. We would also like to point out that the measuring wheels can only be used for internal operational purposes which are not subject to the provisions of the calibration law.

**MRAD Measuring wheel**

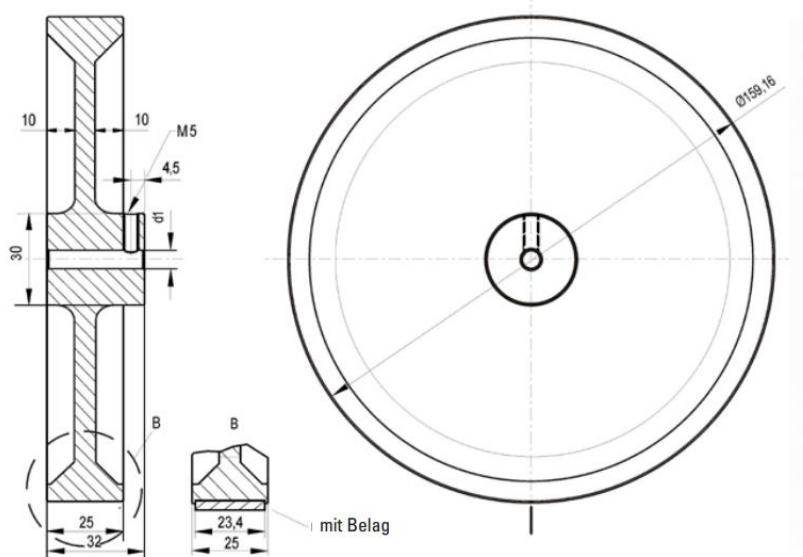


Reference drawing in mm

Circumference 0.2m  
 Diameter: 63.7mm  
 Width: 12mm  
 Weight: approx 60 gr.



Circumference 0.5m  
 Diameter: 159.2mm  
 Width: 25mm  
 Weight: approx. 750 gr.



## MRAD Measuring wheel



### Recommended measuring wheel profiles

|                                               |                                                                  |
|-----------------------------------------------|------------------------------------------------------------------|
| Cardboard                                     | tufted rubber (polyurethane)                                     |
| Wooden                                        | tufted rubber (polyurethane)                                     |
| Textile                                       | tufted rubber (polyurethane)                                     |
| Plastic ( PVC, PE, ...)                       | naps (polyurethane)                                              |
| Paper                                         | tufted rubber (polyurethane)                                     |
| Wire, greased metals, steel profiles, leather | Plastic (polyurethane) smooth                                    |
| Carpet, cable, fleece                         | naps (polyurethane)                                              |
| Metals ungreased, glass, floor coverings      | Plastic (polyurethane) corrugated                                |
| Painted surfaces                              | Plastic (polyurethane) corrugated/ Plastic (polyurethane) smooth |
| Rubber, soft plastic                          | Cross knurled (aluminum)                                         |

### Order Code

|                        |                                                    |           |          |           |          |          |          |
|------------------------|----------------------------------------------------|-----------|----------|-----------|----------|----------|----------|
| <b>MRAD</b>            | <b>840</b>                                         | <b>0.</b> | <b>5</b> | <b>5.</b> | <b>x</b> | <b>x</b> | <b>x</b> |
| 840 MRAD               |                                                    |           |          |           |          |          |          |
| 0                      |                                                    |           |          |           |          |          |          |
| 5                      |                                                    |           |          |           |          |          |          |
| 5                      |                                                    |           |          |           |          |          |          |
| <b>Measuring range</b> |                                                    |           |          |           |          |          |          |
| 0                      | Circumference 0.2m (Diameter 63.7mm / Width 12mm)  |           |          |           |          |          |          |
| 1                      | Circumference 0.5m (diameter 159.2mm / width 25mm) |           |          |           |          |          |          |
| <b>PAGE</b>            |                                                    |           |          |           |          |          |          |
| 0                      | Cross knurl (aluminium)                            |           |          |           |          |          |          |
| 1                      | Plastic (Polyurethan) smooth                       |           |          |           |          |          |          |
| 2                      | tufted rubber coating (Polyurethan)                |           |          |           |          |          |          |
| 3                      | Plastic (Polyurethan) ribbed                       |           |          |           |          |          |          |
| <b>Bore diameter</b>   |                                                    |           |          |           |          |          |          |
| 0                      | 6.0mm H7 (Only available with circumference 0.2m)  |           |          |           |          |          |          |
| 1                      | 10.0mm H7                                          |           |          |           |          |          |          |



**Do you have any questions ?**

Phone: +41 (0)44 843 40 20 or Mail: [sales@micronor.ch](mailto:sales@micronor.ch)