

MPP SERIE



For control unit, switching programs

- ➡ Wire-wound potentiometer (5W)
- ➡ Resistance 100R ... 100K
- ➡ Adjustable limit switches
- ➡ Program channels (free settings) 1-4

Product description

High class motorized potentiometer with fine draw potentiometer. Easy and fast programmable of each channel. Different cycle time are available for maximum use of potentiometer range. With the removable turning knob it will be easy to mount them to a front plate in control enclosure.

Application

Any time controlled application which has to be controlled with micro switches. Usable in motors, locking and emergency backup generators.

Technical Data

Cycle time	(see order code)
Cam	NK
Adjustable limit switches	NK4101/20°
Program channels (free setting)	NK4201/180°
Snap action switch	KS25B4
Mechanical life time	> 20 Mill.
Switching frequency	5 Hz
Contact chatter time	<4 ms
Actuating speed	>10 µm/s
Contact break	0,6 mm
Contact pressure	0,2 N
Temperature range	-40 °C +85 °C
MTBF (IEC 60050)	
Switch	ON/OFF 10 Mio cycle
Mechanical	200'000 hour
Shock resistance	2500m/s ² , 6ms IEC 68-2-27
Vibrations resistance	200 m/s ² , 10...2000 Hz IEC 68-2-6
Humidity	40% rh

1-Turn Motorpotentiometer for DIN-Rail Mounting

MPP SERIE



Microswitch



Type: KS25B4
Function: change over
Connection: cable shoe 2.8x0.55mm
Contact material: silver plated

Cam



Type: NK4201.180°
Function: double cam
Adjustment range: 6 – 180° (free programmable)
Material: Grilon T300

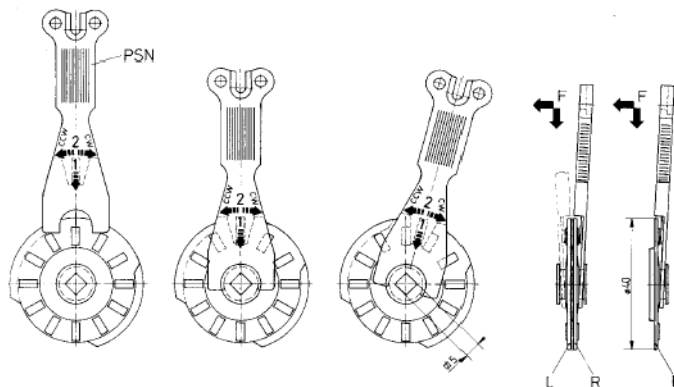
Potentiometer



Type: DPC
Resistant: See order code
Power: 5W
Turning angle: 330°

Adjusting guideline of NK cams

To adjust the NK cam use PSN programming Key which is included in the shipment. Put them to the NK cam and turn until you get the right switching point of your switch.

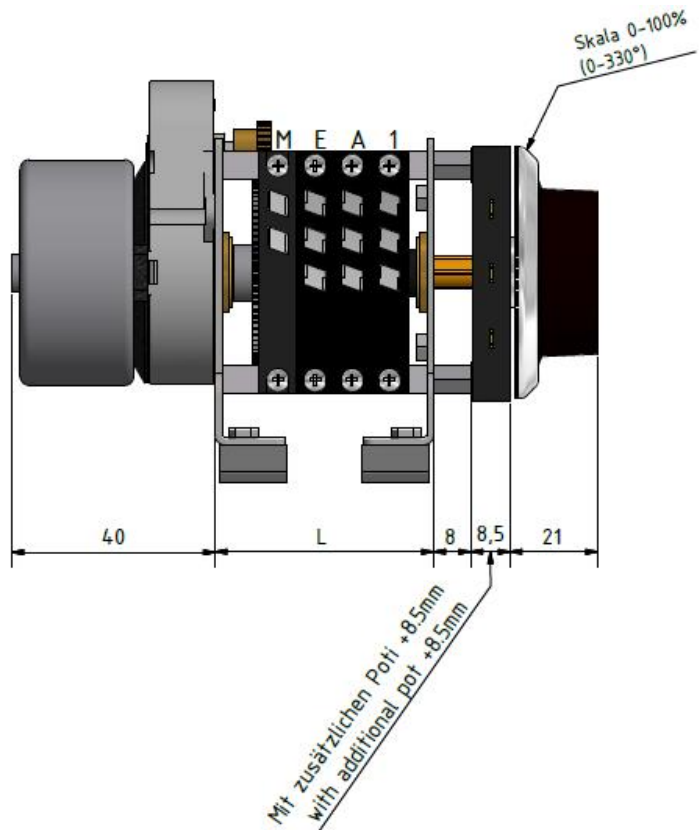
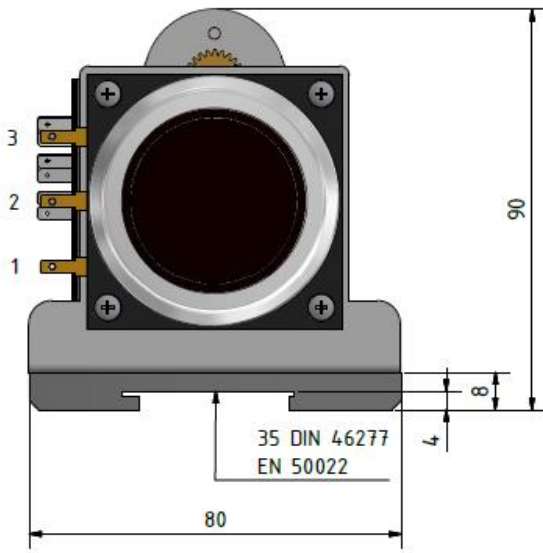


MPP SERIE

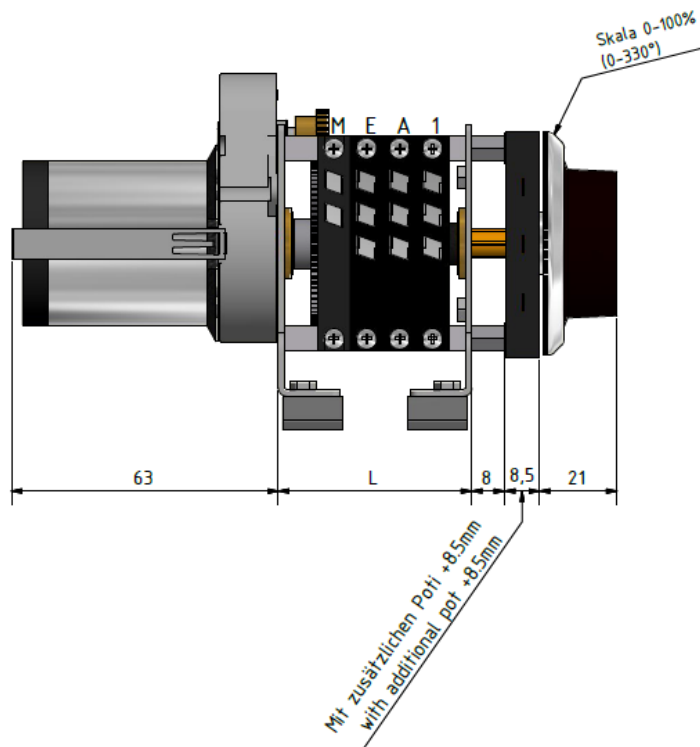
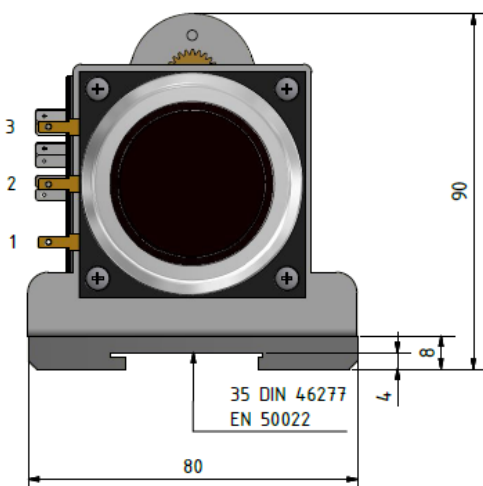


Dimension in mm

AC Motor



DC Motor



MPP SERIE



Order code

MPP

901 x. x x. x x x

901 MPP

SIZE

- 1 Size 1 - 0 switches
- 2 Size 2 - 2 switches (KS25B4), 39mm length, end switches adjustable (NK4101/20°), 0 user contact free programmable (NK4201), no program key (PSN) not necessary
- 3 Size 3 - 3 switches (KS25B4), 47mm length, 2 end switches adjustable (NK4101/20°), 1 user contact free programmable (NK4201), 1 program key (PSN)
- 4 Size 4 - 4 switches (KS25B4), 55mm length, 2 end switches adjustable (NK4101/20°), 2 user contact free programmable (NK4201), 1 program key (PSN)
- 5 Size 5 - 5 switches (KS25B4), 63mm length, 2 end switches adjustable (NK4101/20°), 3 user contact free programmable (NK4201), 1 program key (PSN)
- 6 Size 6 - 6 switches (KS25B4), 71mm length, 2 end switches adjustable (NK4101/20°), 4 user contact free programmable (NK4201), 1 program key (PSN)

CYCLE TIME

- 1 10 sec
- 2 15 sec
- 3 20 sec
- 4 30 sec
- 5 45 sec
- 6 60 sec
- 7 75 sec
- 8 90 sec
- 9 180 sec

MOTOR POWER (AC/DC) 50Hz

- 1 C-Motor AC 24V CW
 - 2 C-Motor AC 48V CW / CCW
 - 3 C-Motor AC 110V CW / CCW
 - 4 C-Motor AC 220V CW / CCW
 - 5 G1-Motor DC 24V (+- 0.1) CW / CCW
 - 6 G2-Motor DC 12V (+- 0.1) CW / CCW
- 60Hz Frequency on request

RESISTANCE POTENTIOMETER 1 DPC

- 0 None
- 1 500Ohm
- 2 1kOhm
- 3 2kOhm
- 4 5kOhm
- 5 10kOhm
- 6 2.5kOhm
- 7 20kOhm
- 8 100kOhm

RESISTANCE POTENTIOMETER 2 DPC

- 0 None
- 1 500Ohm
- 2 1kOhm
- 3 2kOhm
- 4 5kOhm
- 5 10kOhm
- 6 2.5kOhm
- 7 20kOhm
- 8 100kOhm

STOP AND CONTROL UNIT FOR DC-MOTORS

- 0 None
- 1 PRSG.2 Control unit Stop and Switch E and A
- 2 PSG.2 stopper unit for DC Motors - two switches
- 3 PRSG.3 Control unit Stop and Switch E and A + 1
- 4 PSG.3 stopper unit for DC Motors - three switches
- 5 MR265 4-20mA Sensor output 2 wire
- 6 MR265 4-20mA Current interface 4 wire, GND Power and two Sensor
- 7 MR267 4-20mA Current interface input module isolated
- 8 MR267 0-10V Voltage Interface input module isolated



Do you have any Questions? Phone: +41 (0)44 843 40 20 or Mail: sales@micronor.ch