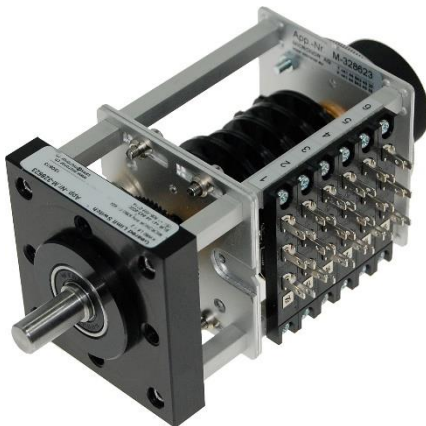


KW60 SERIE



For Industrial, Crane's and Lockings

- ➔ Heavy Duty Limit Switch
- ➔ Up to 12 Channels
- ➔ Different micro switches
- ➔ 1x PG16 Cable output
- ➔ Without housing
- ➔ Ball beared

Product description

Heavy duty geared limit switch easy and variable to mount. 100% guard and interlocking drive concept up to the cam. Available in different ratios.

Application

This heavy duty geared limit switch could use to control every end switch application in cranes, mining, automotives and wind power.

Technical Data

Usable Gear Ratio	1:1 – 2500:1	(more on request)
Program channels	2 - 12	(more on request)
Switching frequency	5 Hz	
Contact chatter time	<4 ms	
Actuating speed	>10 µm/s	
Contact break	0,6 mm	
Contact pressure	0,2 N	
Temperature range	-40 °C +85 °C	
Hysteresis	depend of ratio	
Repeatability	depend of ratio	
Weight	ca. 1,5 Kg	
MTBF (IEC 60050)	ON/OFF 10 Mio cycles	
	200'000l hours	
Rotation speed	max. 1500 U/min	
Shaft load	radial 450N, axial 200N	
Protection	IP 50 EN 60 529	
Shock resistance	2500m/s ² , 6ms IEC 68-2-27	
Vibrations resistance	200 m/s ² , 10....2000 Hz IEC 68-2-6	
Humidity	40% rh	

KW60 SERIE



Microswitch

Order code	Picture	Description
0		KS25B4 changeover contact for cable shoe 2.8x0.55mm silver contact
		switching current 4A 250 VAC / 1A 60VDC
1		KS26B4 changeover contact for cable shoe 2.8x0.55mm gold contact
		switching current 4A 250 VAC / 1A 60VDC
2		S840 V20 changeover contact for cable shoe 6.3x0.9mm silver contact
		switching current 10A 250V AC / 6A 24V DC
3		S870 W changeover with screwed silver contact
		switching current 10A 250V AC / 6A 24V DC
4		S845 controlled opening switch gold contact
		switching current 10A 250V AC / 6A 24V DC

KW60 SERIE



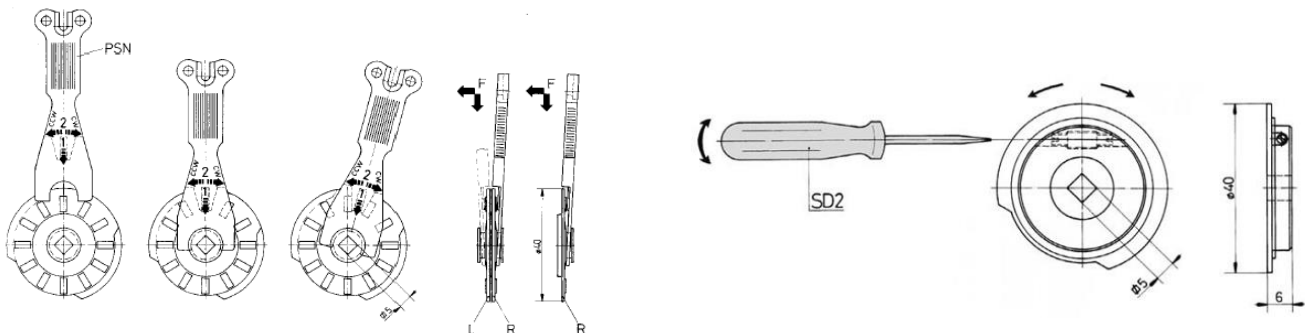
Cam types and adjustment

Type	Order code	Picture	Description	
NK Cams	0		single cam	
			adjustable with included PSN Key	
			Available with 20 ° / 180° opening angle	
			Material: Grilon T300	
NK Cams	1		double cam	
			adjustable with included PSN Key	
			free programmable from 6° - 180°	
			Material: Grilon T300	
NV Cams	2		single cam	
			adjustable with included screwdriver	
			Available with 20 ° / 180° opening angle	
	NV Cams	3		double cam
				adjustable with included screwdriver
				free programmable from 6° - 180°
			Material: Grilon T300	

Adjusting guideline of NV / NK cams

To adjust the NK cam use the PSN key with levelling the cam and turn

To adjust the NV cam use SD screwdriver an turn the small screw.

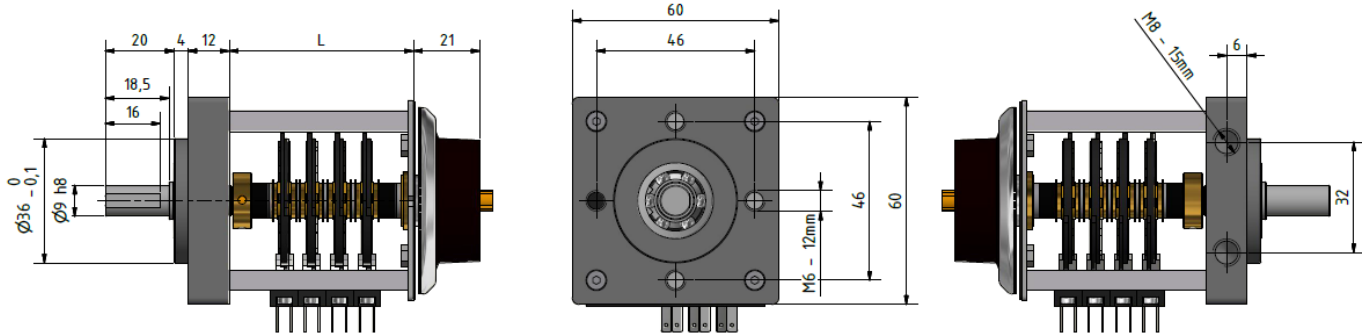


KW60 SERIE

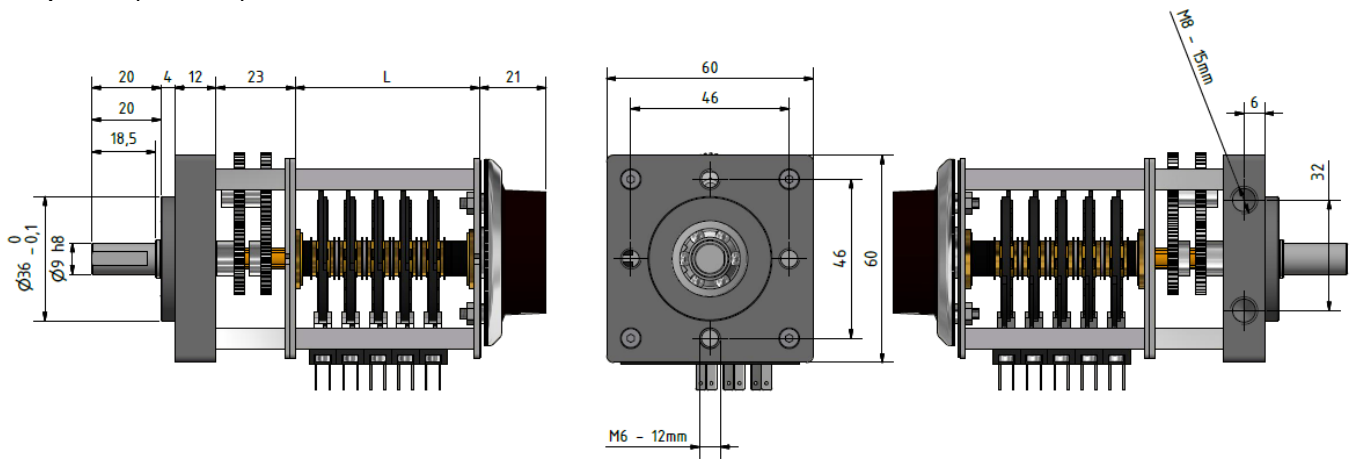


Reference drawing in mm

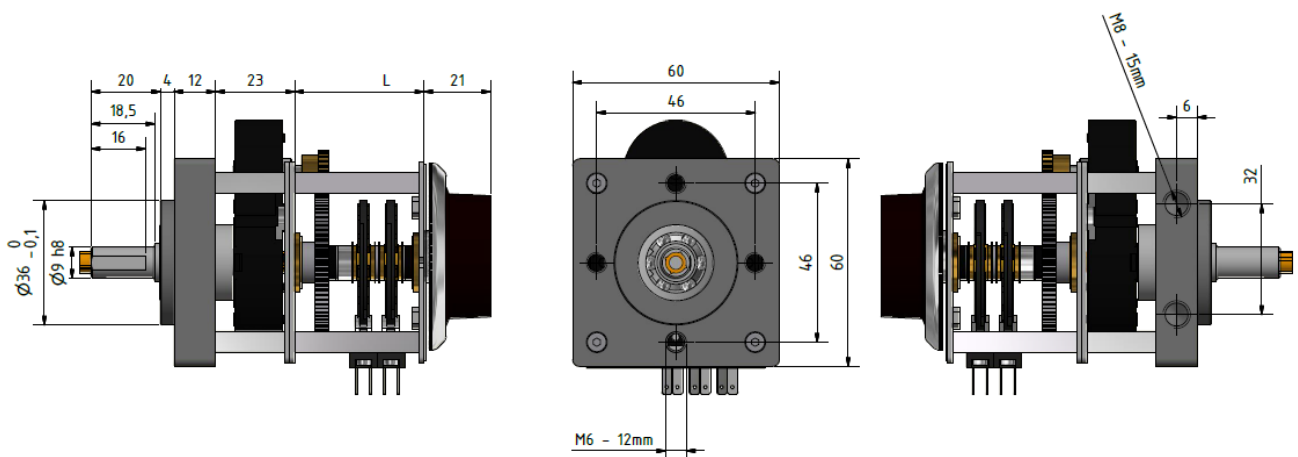
Direct drive (1:1)



1 Step Down (2:1 – 12:1)



Multi-Steps (12.5:1 – 2500:1)



KW60 SERIE



Order code

KW60

917 x. x x. x x x

		RATIO									
		Direkt	Einstufig	Mehrstufig							
0	1 : 1	x									
1	2 : 1		x								
2	4 : 1		x								
3	12,5 : 1			x							
4	25 : 1			x							
5	40 : 1			x							
6	100 : 1			x							
7	200 : 1			x							
8	750 : 1			x							
9	2500 : 1			x							
		INTERFACE									
0	None										
1	MR 265 interface 4-20mA										
		NUMBER OF SWITCH									
0	2 switches										
1	3 switches										
2	4 switches										
3	5 switches										
4	6 switches										
5	7 switches										
6	8 switches										
7	9 switches										
8	10 switches										
9	12 switches										
		TYPE OF SWITCH									
0	KS25B4 changeover contact for cable shoe 2.8x0.55mm silver contact										
1	KS26B4 changeover contact for cable shoe 2.8x0.55mm gold contact										
2	S840 V20 changeover contact for cable shoe 6.3x0.9mm silver contact										
3	S870 W changeover with screwed silver contact										
4	S845 controlled opening switch gold contact										
		CAM									
0	single cam NK4101										
1	double cam NK4201										
2	single cam NV4101										
3	double cam NV4201 (on request)										
		CAM PROFILE									
0	20° recess										
3	180° recess										



Do you have any Questions ? Phone: +41 (0)44 843 40 20 or Mail: sales@micronor.ch