

ENA361M SERIE



For CNC machines, crane system and test equipment



- ➔ Outer diameter of only 36mm
- ➔ 360° resolved into 4096 different positions
- ➔ 0-10 V or 4-20mA output
- ➔ Short circuit proof
- ➔ Wide temperature range

Product description

The ENA361M series singleturn with analog interface and magnetic sensor technology are particularly flexible in use due to their diverse interfaces and measuring ranges. A green and red LED facilitate both installation and fault diagnosis as a reference point and as a fault indicator. Protected up to IP67, shockproof and resistant to extreme temperature fluctuations, the ENA361M are suitable even for demanding outdoor applications.

Application

The encoder is used in all areas of industry. Especially in the processing industry such as metal construction. It is used in lathes and milling machines, CNC machines, motors and in many other machines. Rotary encoders with incremental measurement or absolute measurement are predestined to detect the angular change of objects and determine their position.

Technical Data

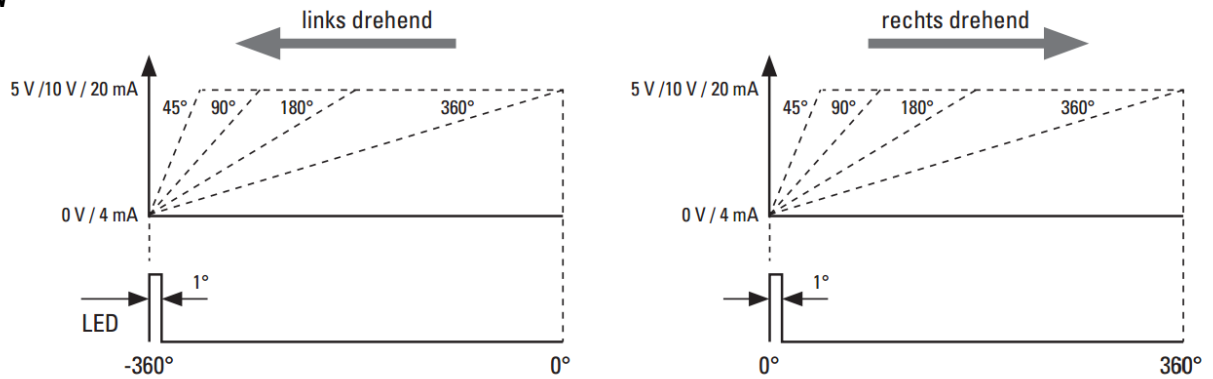
Supply voltage 4-20 mA	10 ... 30 V DC
Supply voltage 0-5 VDC	10 ... 30 V DC
Supply voltage 0-10 VDC	15 ... 30 V DC
Current consumption (without load)	max. 38 mA
Reverse polarity protection of the supply voltage	Yes
Measuring range	45°, 90°, 180° or 360°
Resolution	12 Bit
Absolute accuracy (25°C)	±1°
Repeatability (25°C)	± 0,2°
Maximum speed	6000 min ⁻¹
Starting torque (at 20°C)	< 0,06 Nm
Shaft load capacity	radial 40 N axial 20 N
Shock resistance according to EN 60068-2-27	5000 m/s ² , 6 ms
Vibration resistance according to EN 60068-2-6	300 m/s ² , 10 ... 2000 Hz
Permanent shock after EN 60068-2-27	1000 m/s ² , 2 ms
Vibration (broadband noise) after EN 60068-2-64	5 ... 2500 Hz, 100 m/s ² – rms
Protection class	IP67

ENA361M SERIE

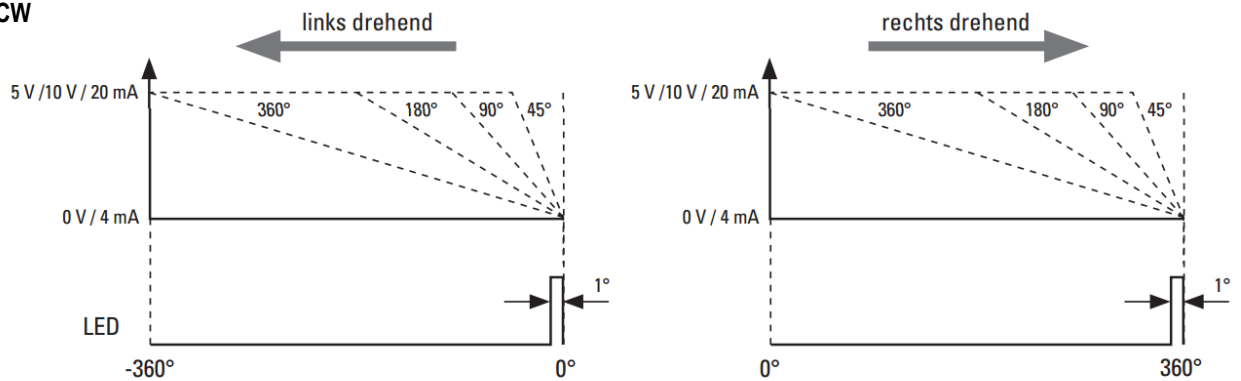


Example (course of the output signal)

Variant CW



Variant CCW



Connection assignment

Interface	Connection type	Cable (unused cores must be individually insulated before commissioning)				
Current output	0,1	Signal	0V	+V	+I	-I
		Cable colour	WH	BR	GN	YE
Current output	2,3	Signal	0V	+V	+I	-I
		Pin	3	2	4	5

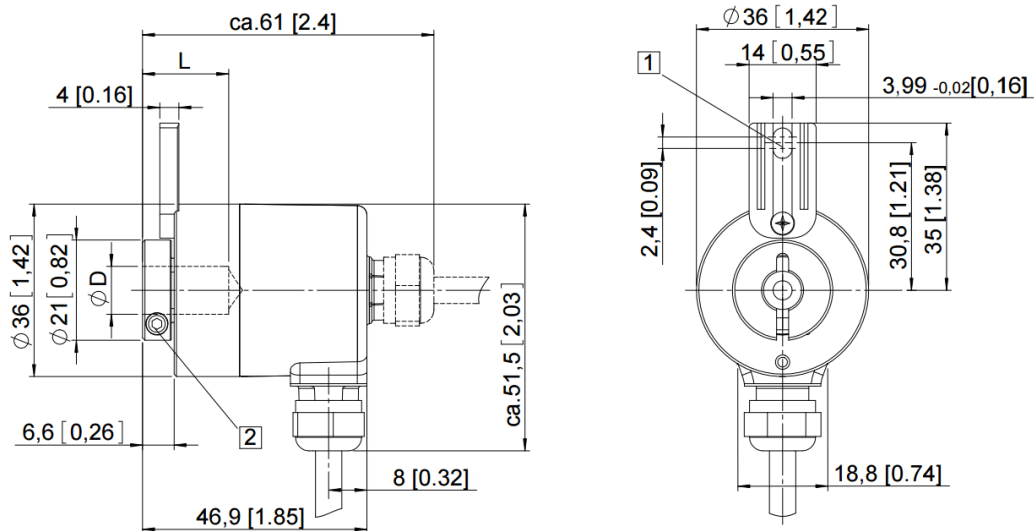
Interface	Connection type	Cable (unused cores must be individually insulated before commissioning)				
Voltage output	0,1	Signal	0V	+V	+I	-I
		Cable colour	WH	BR	GN	YE
Voltage output	2,3	Signal	0V	+V	+I	-I
		Pin	3	2	4	5

ENA361M SERIE



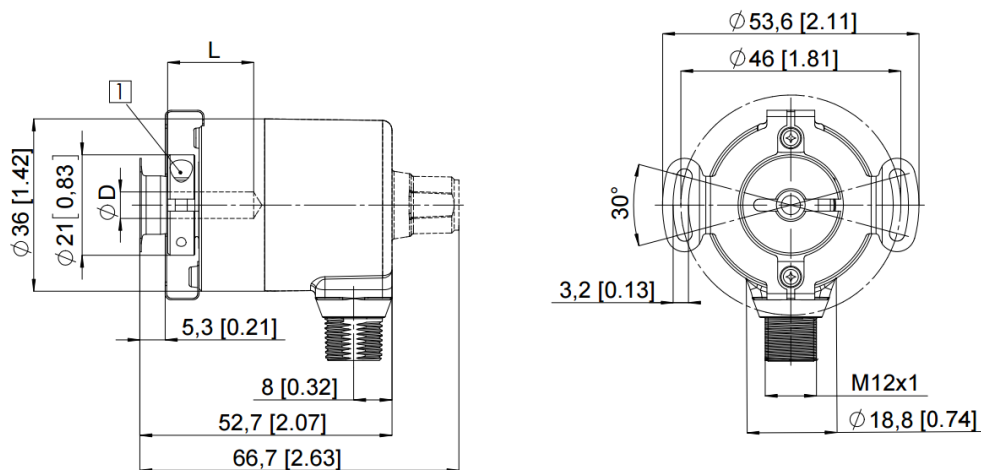
Reference drawing in mm

Flange with spring element, long



- 1 - Groove Torque support, recommendation: dowel pin according to DIN 7, $\phi 4$
- 2 - Recommended torque for clamping ring 0.7 Nm

Flange with stator coupling $\phi 46$



- 1 - Recommended torque for clamping ring 0.7 Nm

ENA361M SERIE



Order code

ENA 361 M		958	x.	x	x.	x	x	x
958	ENA361M							
FLANGE								
0	with Spring element long							
1	with Stator coupling Ø46mm							
HOLLOW SHAFT								
0	Ø 6 mm							
1	Ø 6,35 mm							
2	Ø 8 mm							
3	Ø 10 mm							
CONNECTION CIRCUIT								
0	Current output							
1	Voltage output							
CONNECTION TYPE								
0	Cable axial, 1m							
1	Cable radial, 1m							
2	M12-Plug axial, 5-pole							
3	M12-Plug radial, 5-pole							
MEASURING RANGE								
0	1 x 360°							
1	1 x 180°							
2	1 x 90°							
3	1 x 45°							
OUTPUT								
0	0...5V / 10...30VDC							
1	0...10V / 15...30V DC							
2	4...20mA / 10...30VDC							



Do you have any questions?

Phone: +41 (0)44 843 40 20 or Mail: sales@micronor.ch