

MPC VDC SERIES



For control unit, switching programs

- ➔ Wire-wound potentiometer (5W)
- ➔ Resistance 100R ... 100K
- ➔ Adjustable limit switches
- ➔ Plastic housing with DC motor

Product description

High class motorized potentiometer with fine draw potentiometer. Easy and fast programmable of each channel. Different cycle time are available for maximum use of potentiometer range.

Application

Any time controlled application which has to be controlled with micro switches. Usable in motors, locking and emergency backup generators.

Technical specifications

Cycle time	(see order code)
Cam	NK
Adjustable limit switches	NK4101/20°
Program channels (free setting)	NK4201/180°
Snap action switch	KS25B4
Mechanical life time	> 20 Mill.
Switching frequency	5 Hz
Contact chatter time	<4 ms
Actuating speed	>10 µm/s
Contact break	0,6 mm
Contact pressure	0,2 N
Temperature range	-40 °C +85 °C
MTBF (IEC 60050)	
Switch	ON/OFF 10 Mio cycle
Mechanical	200'000 hour
Shock resistance	2500m/s ² , 6ms IEC 68-2-27
Vibrations resistance	200 m/s ² , 10....2000 Hz IEC 68-2-6
Humidity	40% rh

MPC VDC SERIES



Microswitch



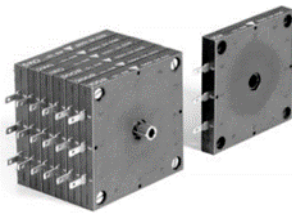
Type: KS25B4
 Function: change over
 Connection: Cable shoe 2.8x0.55mm
 Contact material: Silver plated

Cams



Type: NK4201.180 °
 Function: double cam
 Adjustment range: 6 - 180° (free programmable)
 Material: Grilon T300

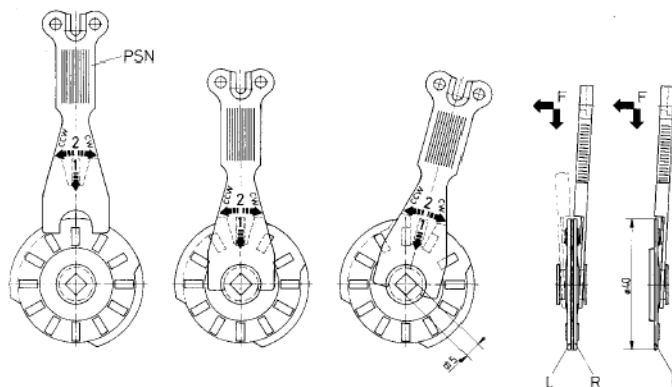
Potentiometer



Type: DPC
 Resistant: See Order Code
 Power: 5W
 Turning angle: 330°

Adjusting guideline of NK cams

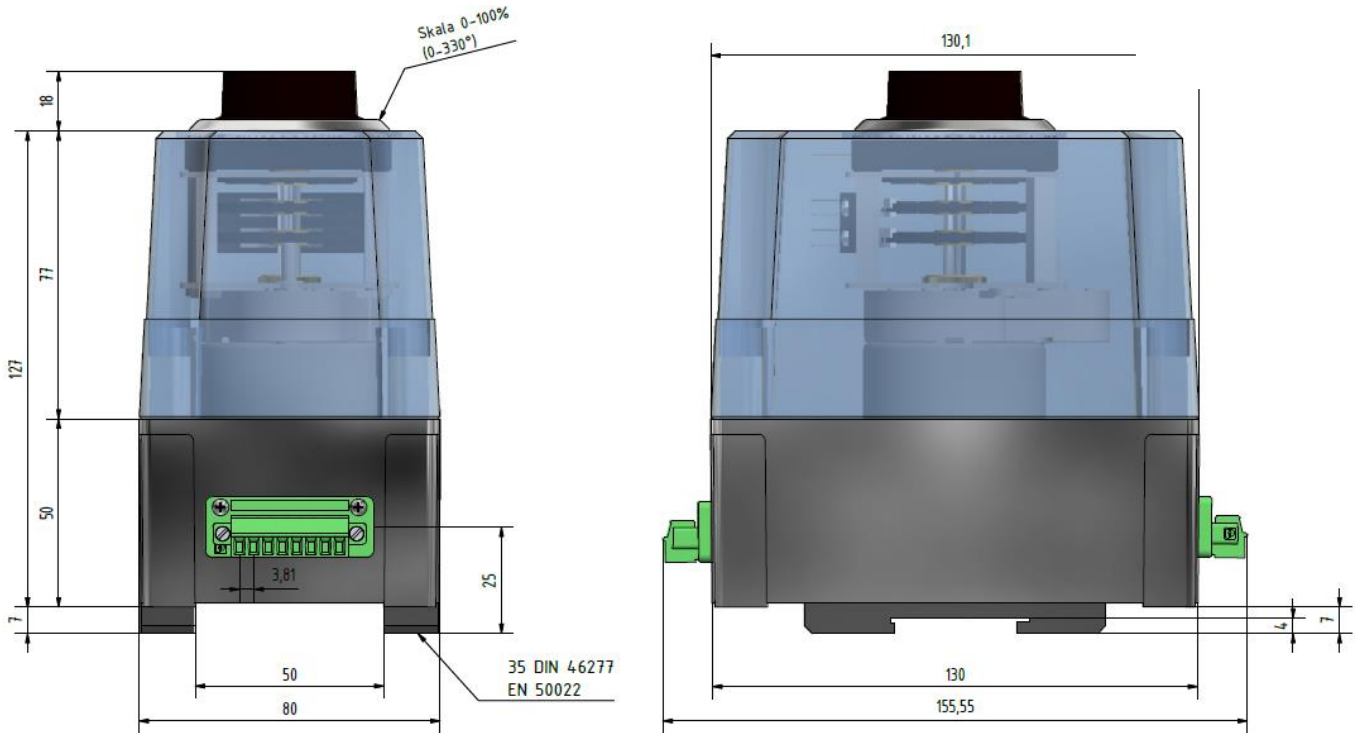
To adjust the NK cam use PSN programming Key which is included in the shipment. Put them to the NK cam and turn until you get the right switching point of your switch.



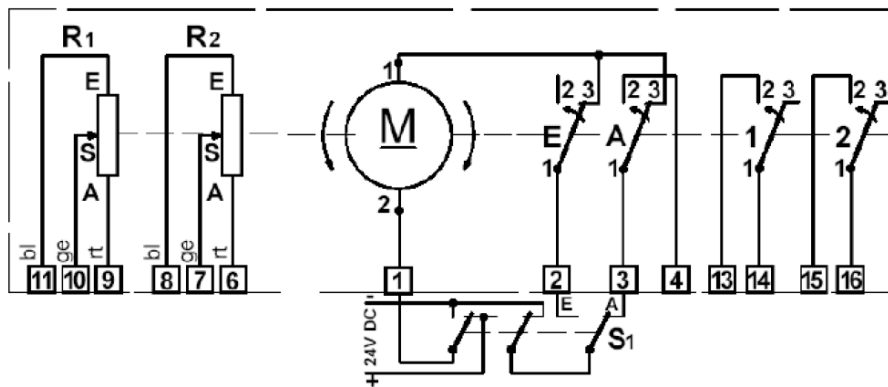
MPC VDC SERIES



Reference drawing in mm



Electrical connection



Admittance:

Over voltage category II: Connection with a firm (fixed) electric installation within a casing or building is allowed

Insulant group III of the plug under pollution level 3:

There appears conductive pollution or dry, non-conductive pollution, but no constant conductivity

Recommendation: screw the wires with the plug unplugged

loose with supplied

2x plug connector with screw wedges

1-Turn Motorpotentiometer in protective housing

MPC VDC SERIES



Order code

902 x. x x. x 0 0

SIZE	
0	Size 0 – 0 Switches
2	Size 3 - 2 switches (KS25B4), end switches adjustable (NK4101/20°), knob outside no program key (PSN)
3	Size 3 - 3 switches (KS25B4), 2 end switches adjustable (NK4101/20°), 1 user contact free programmable (NK4201), 1 program key (PSN), knob outside
4	Size 3 - 4 switches (KS25B4), 2 end switches adjustable (NK4101/20°), 2 user contact free programmable (NK4201), 1 program key (PSN), knob outside
CYCLE TIME	
1	10 sec
2	15 sec
3	20 sec
4	30 sec
5	45 sec
6	60 sec
7	75 sec
8	90 sec
9	120 sec
MOTOR (DC)	
5	G-Motor DC 24V (+- 0.1) CW / CCW
6	G-Motor DC 12V (+- 0.1) CW / CCW
POTENTIOMETER DPC	
0	none
1	500Ohm
2	1kOhm
3	2kOhm
4	5kOhm
5	10kOhm
6	2.5kOhm
7	20kOhm
8	100kOhm
0	
0	



Do you have any questions? Phone: +41 (0)44 843 40 20 or Mail: sales@micronor.ch