

HPF SERIES



For control unit, switching programs

- ➔ Wire-wound potentiometer (5W)
- ➔ Resistance 500R ... 100K
- ➔ Adjustable limit switches
- ➔ Program channels (free settings) 1-4

Product description

High class Hand-potentiometer with fine draw potentiometer. Easy and fast adjustable of each channel. Different cycle time are available for maximum use of potentiometer range. With the removable turning knob it will be easy to mount them to a front plate in control enclosure.

Application

Any time controlled application which has to be controlled with micro switches. Usable in motors, locking and emergency backup generators.

Technical Data

Mechanical life time	> 20 Mill.
Switching frequency	5 Hz
Contact chatter time	<4 ms
Actuating speed	>10 µm/s
Contact break	0,6 mm
Contact pressure	0,2 N
Temperature range	-40 °C +85 °C
MTBF (IEC 60050) Mechanical	Switch ON/OFF 10 Mio cycle 200'000 hours
Shock resistance	2500m/s ² , 6ms IEC 68-2-27
Vibrations resistance	200 m/s ² , 10....2000 Hz IEC 68-2-6
Humidity	40% rh

HPF SERIES



Microswitch



Type: KS25B4
 Function: change over
 Connection: Cable shoe 2.8x0.55mm
 Contact material: Silver plated

Cams



Type: NK4201.180°
 Function: double cam
 Adjustment range: 6 - 180° (free adjustable)
 Material: Grilon T300

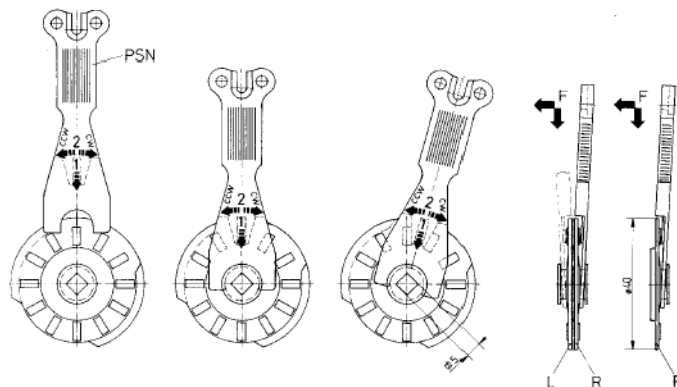
Potentiometer



Type: DPC
 Resistant: See Order Code
 Power: 5W
 Turning angle: 330°

Adjusting guideline of NK cams

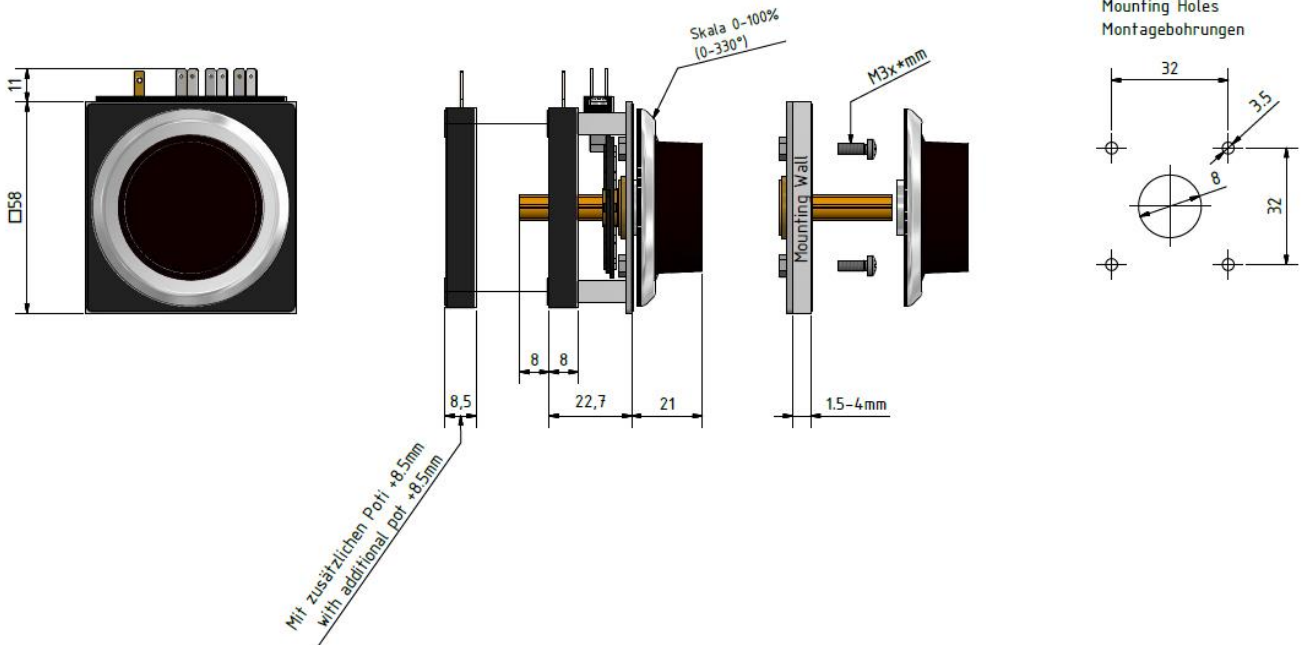
To adjust the NK cam use PSN programming Key which is included in the shipment. Put them to the NK cam and turn until you get the right switching point of your switch.



HPF SERIES



Dimension in mm



HPF SERIES



Order code

913 x. 00.x x x

SIZE	
0	Size 0 - 0 switches, length 19mm
1	Size 1 - 1 switch (KS25B4), length 23mm, 1 user contact free adjustable (NK4201), 1 program key (PSN)
2	Size 2 - 2 switches (KS25B4), length 31mm, 2 user contact free adjustable (NK4201), 1 program key (PSN)
3	Size 3 - 3 switches (KS25B4), length 46mm, 3 user contact free adjustable (NK4201), 1 program key (PSN)
4	Size 4 - 4 switches (KS25B4), length 54mm, 4 user contact free adjustable (NK4201), 1 program key (PSN)
RESISTANCE POTENTIOMETER 1 DPC	
00.0	no potentiometer
00.1	500 Ohm
00.2	1KOhm
00.3	2kOhm
00.4	5kOhm
00.5	10kOhm
00.6	2.5kOhm
00.7	20kOhm
00.8	100kOhm
RESISTANCE POTENTIOMETER 2 DPC	
0	no potentiometer
1	500 Ohm
2	1KOhm
3	2kOhm
4	5kOhm
5	10kOhm
6	2.5kOhm
7	20kOhm
8	100kOhm
RESISTANCE POTENTIOMETER 3 DPC	
0	no potentiometer
1	500Ohm
2	1kOhm
3	2kOhm
4	5kOhm
5	10kOhm
6	2.5kOhm
7	20kOhm
8	100kOhm



Questions ?

Phone: +41 (0)44 843 40 20 or Mail: sales@micronor.ch